

Pressure Transmitter PX400 series Datasheet



Pressure Transmitter PX400 series

Datasheet

Pressure Transmitter PX400

PX400 Series pressure transmitter is kind of device based on pressure layer, which inside expert integrate circuit can transform sensor milli-volt signal to standard far distance transmission current signal, and it can be directly joined with computer joint clip, control instrument ,apitude instrument or PLC etc. conveniently.

Applications

- Industrial process control
- Petroleum industry
- Chemical industry
- Paper industry
- Metallurgy

Features

- The physical volume small, the weight is light.
- Work in the causticity environment.
- Ingress protection up to IP65.
- The whole stainless steel seals completely the structure,have the very high anti- to flap to pound at the function with anti.



Pressure Transmitter

Pressure Transmitter PX400 series



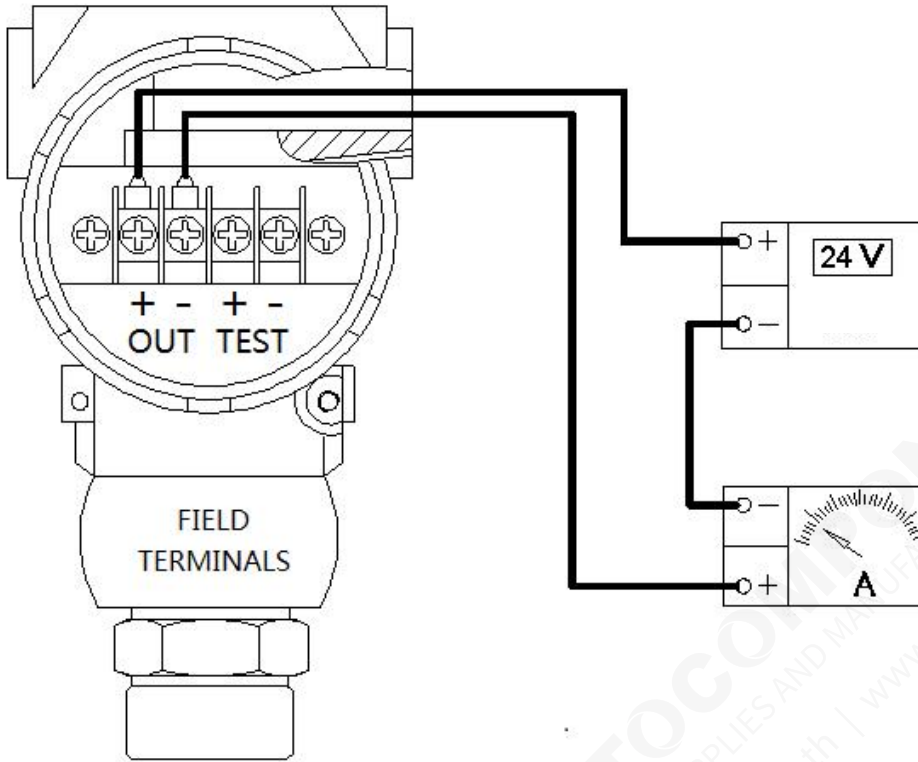
Parameters	
Power Supply	12V~32V ((4~20) mA , with display)
	10V~32V ((4~20) mA+RS485, with display)
	9V~32V ((4~20) mA, without display)
Output	(4~20)mA;(1~5)V;(0~10)V;(0~5)V;RS485
Accuracy	0.2%、0.25%、0.5%
Measurement range	-0.1...0...60Mpa
Pressure type	Gauge pressure, adiabatic pressure and sealed pressure
Compensation temperature	-10℃~70℃
Working temperature	-20℃~85℃
Medium temperature	-20℃~85℃
Storage temperature	-40℃~85℃
Zero-point temperature drift	±0.3%FS/10℃
Sensitivity temperature drift	±0.3%FS/10℃
Overload pressure	(0.035~10)MPa (150%FS) ; (10~60)MPa (125%FS)
Long-term stability	±0.2%FS/year
Response time	RS485 output≤100ms (up to 90%FS)
	Current and Voltage output≤10ms (up to 90%FS)
Insulation	20MΩ/250VDC
Ingress protection	IP65
Load Resistance	(U-9V)/0.02A

Pressure Transmitter PX400 series

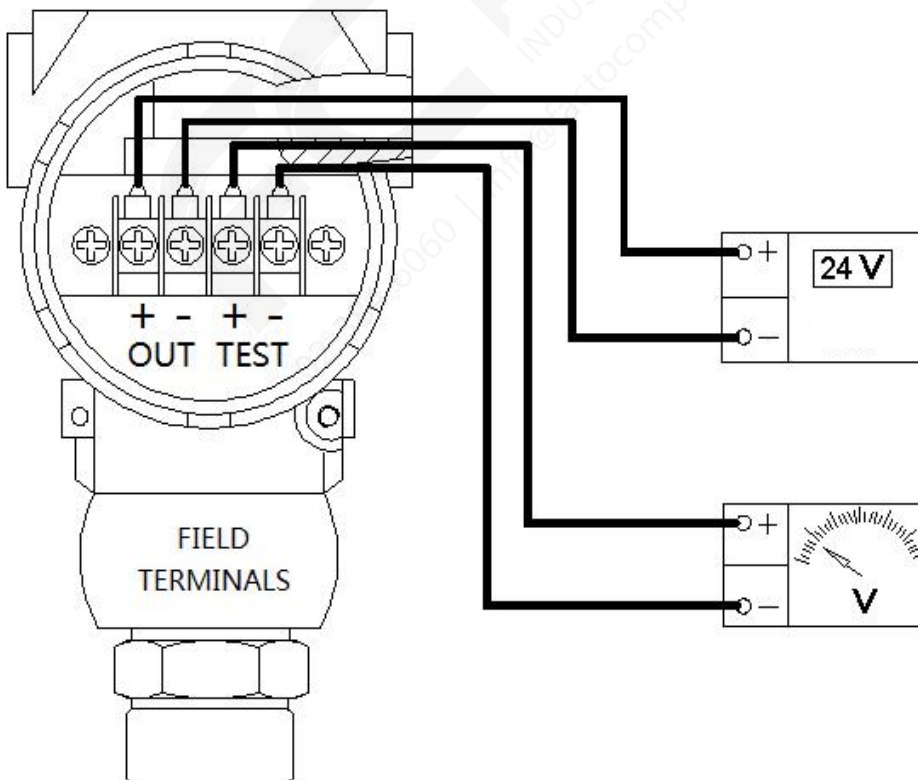


Wiring

- Current output

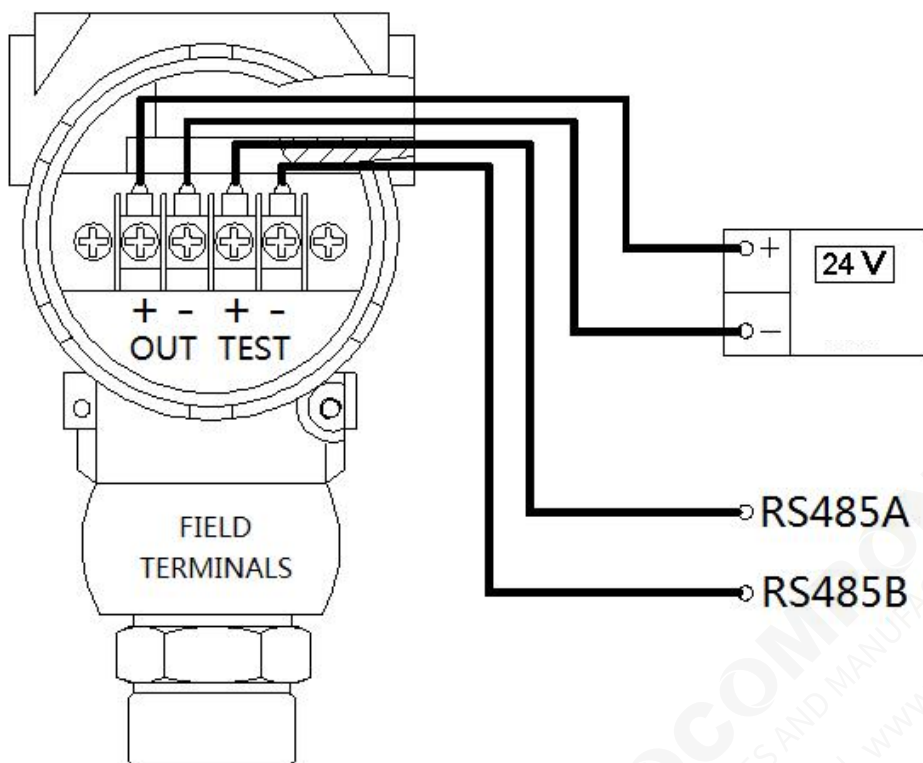


- Voltage output



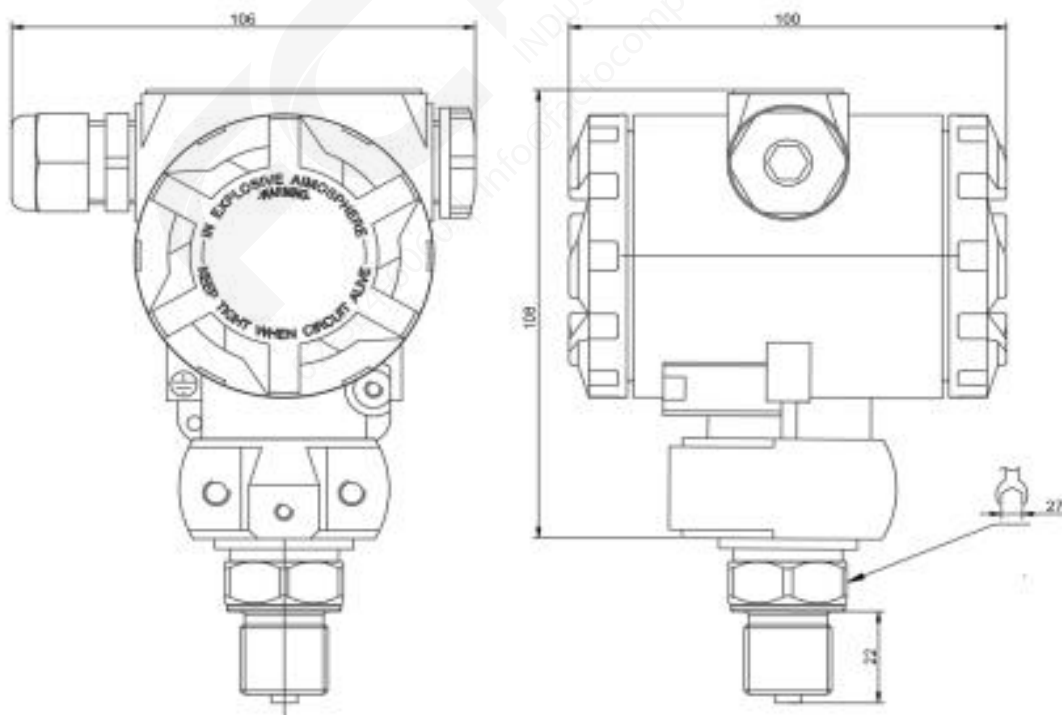
Pressure Transmitter PX400 series

- RS485 output



Dimension

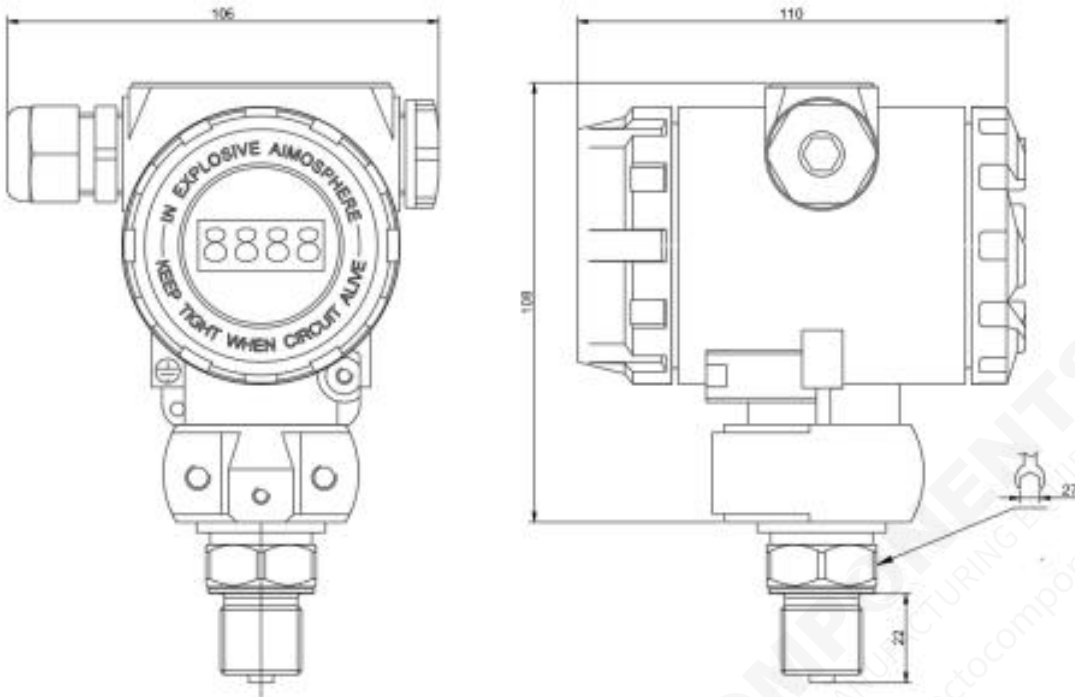
- P400 without display



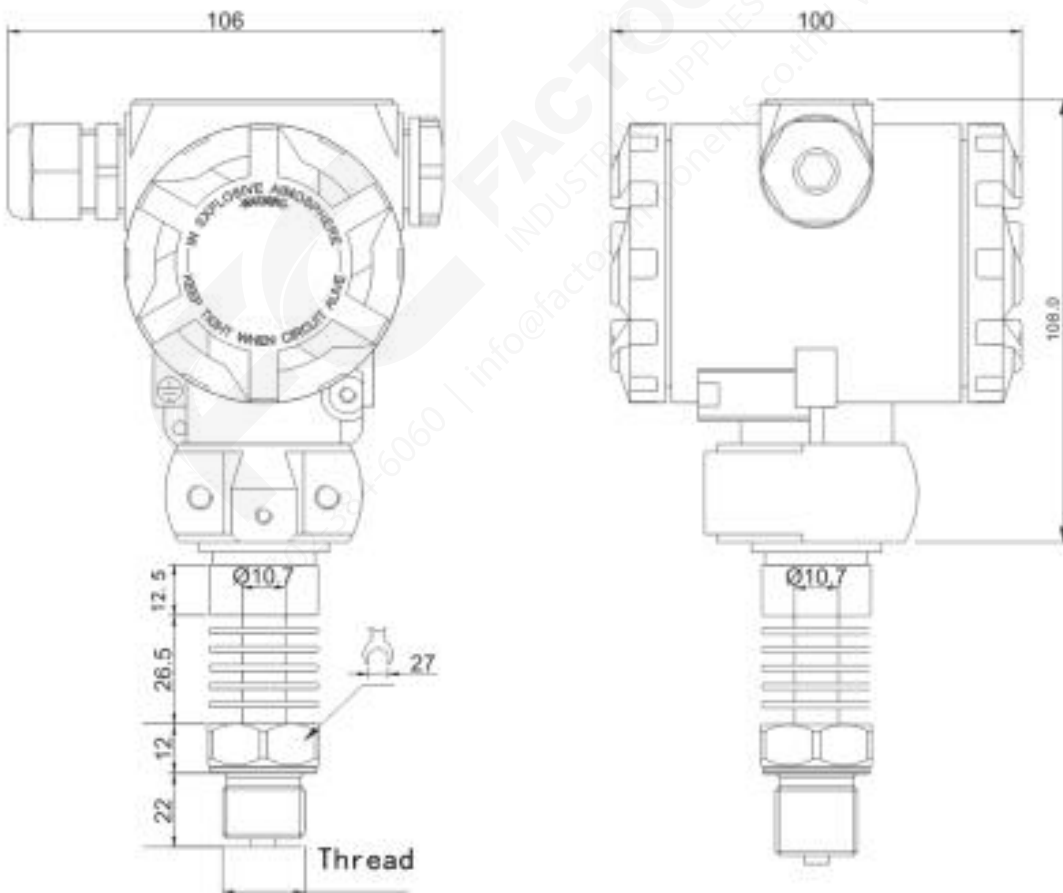
Pressure Transmitter PX400 series



■ P400 with display



■ P400G



Pressure Transmitter PX400 series



Ordering code

PX400-G-1A-F-A1-L2-A-W1												Description	
PX400	-	-	-	-	-	-	-	-	-	-	-	-	
Pressure Type	G												Gauge pressure
	A												Adiabatic pressure (0-30kPa to 1MPa only)
Measuring range	1A												-100-0kPa
	1B												-100-100kPa
	1C												-100-1000kPa
	1L												0-10kPa
	1M												0-20kPa
	1N												0-30kPa
	1Q												0-50kPa
	1S												0-100kPa
	2A												0-0.6MPa
	2B												0-1MPa
	2C												0-1.6MPa
	2D												0-2.5MPa
	2E												0-4MPa
	2H												0-10MPa
	2K												0-20MPa
	2L												0-25MPa
	2M												0-30MPa
	2N												0-40MPa
2P												0-60MPa	
XX													Other
Accuracy		K											0.5 Class
		G											0.25 Class <100kPa not selectable
		F											0.2 Class <100kPa not selectable
Output and Power Supply			A1										Two-Wire 4-20mA
			A2										1-5V,24VDC
			A3										0-10V,24VDC
			A4										0-5V,24VDC
			XX										Other
Thread Type				L2									M20×1.5
				G2									G1/2
				G1									G1/4
				N									NPT1/4

Pressure Transmitter PX400 series



	C					NPT1/2
	L3					M27×2
	L1					M14×1.5
	XX					Other
Diaphragm and Thread Type Material	A					SS316L,304SS
	B					SS316L,SS316L
	X					Other
Electrical Interface, Housing Material, and Ingress Protection		W1				M20×1.5 Cable Gland,Aluminum Alloy, IP65
Additional Features (Optional)						
Accessories			PA			Carbon Steel Thread Base
			PB			304SS Thread Base
			PD			304SS Condensation Bend (Only M20×1.5 and G1/2)

