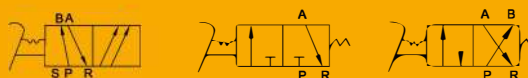


F

Foot Valve (3/2, 4/2, 5/2)



Product Features

- * Strong design and work in harsh environment
- * Various types are available

How to Order?

| Series No. | Ways | Positions | Valve Body Size | Type | Port Size | Valve Type | Thread Type |
|------------------------|-------------------------------------|---------------|-----------------|----------------------------------|------------------------|-----------------------------------|----------------------------|
| F: F series foot valve | 3: 3 ways 4: 4 ways 5: 5 ways | 2: 2 position | 2: 2 series | Blank: No cover C: With cover | 06: 1/8 " 08: 1/4 " | Blank: Basic type L: With lock | Blank G P: PT T: NPT |

Order Example:

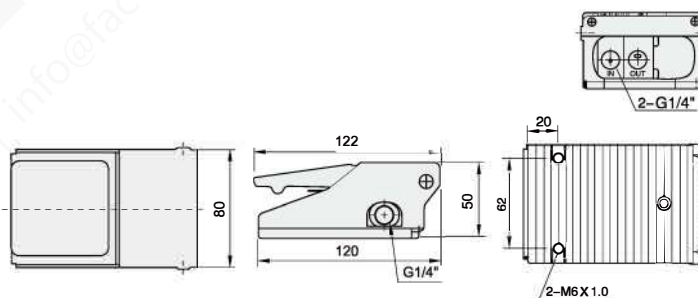
F series foot valve, 5/2 way, 2 series valve body, without cover, 1/4" port size, with lock, G thread, ERP code is: F522-08L

Specifications

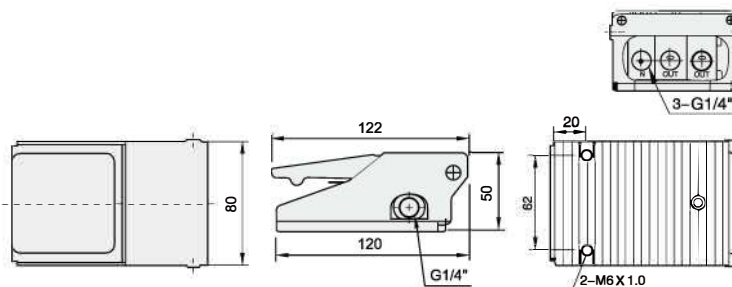
| Model | F322 | F422 | F522 |
|--------------------------|-----------------------------------|------|------|
| Working medium | Clean air(After 40 μm filtration) | | |
| Acting type | External control | | |
| Lubrication | Not required | | |
| Working pressure (MPa) | 0-0.8 | | |
| Max pressure (MPa) | 1.2 | | |
| Working temperature (°C) | -5-60 | | |
| Port size | 1/8 " , 1/4 " | | |

Main Dimension

F322-08

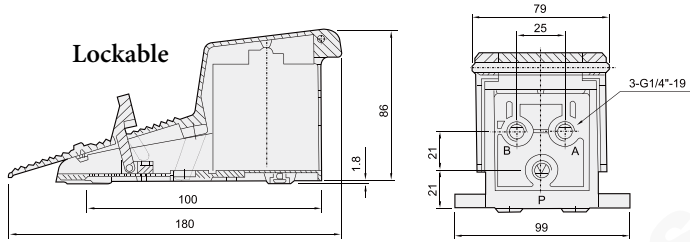


F422-08

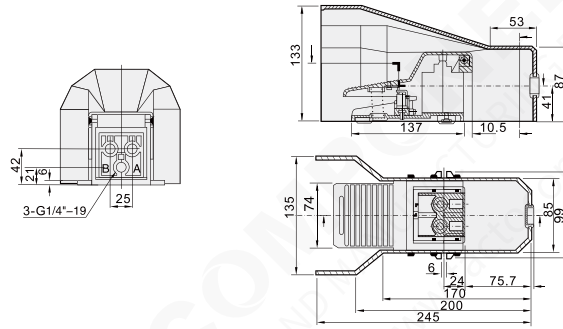


○ Main Dimension

F522-08L F522-08L



F522C-08L



F522C-08

