



AIR FLOW CONTROL HEAVY-DUTY CHECK VALVES

PRODUCT CATALOG



บริษัท แฟคโต คอมโพเนนส์ จำกัด | FACTO COMPONENTS CO., LTD.

845/3-4 ชั้น 3 ถ.เทพารักษ์ ต.เทพารักษ์ อ.เมือง จ.สมุทรปราการ 10270

TEL. 02-384-6063 ต่อ 405, 086-369-5871 | LINE OA: @factocomps | Website : www.factocomponents.co.th | Email : info@factocomponents.co.th



Check Valves Heavy-Duty 19 Series

Product Overview

Check Function

ROSS check valves function is to open with fluid movement and pressure, and close to prevent backflow of the pressure to upstream equipment.

Low-Profile	Mid-Range	High-Capacity
		

Illustration examples.

Valve Schematic



ROSS check valves are self-actuating and designed to provide free air flow in one direction, and to be closed to flow in the opposite direction.

VALVE FEATURES

Poppet Design	Dirt-tolerant, self-cleaning poppet design Available in alternate materials for extreme temperature applications
Soft-Seal Design	Provides quiet operation
Low Cracking Pressure	Air tight seal ensures no leakage from the valve
Positive Locking	Available in Low-Profile High-Capacity valves, prevents change of adjustment knob due to vibration or tampering
Easy Maintenance	Can be serviced inline
Rugged Construction	Made with corrosion-resistant materials

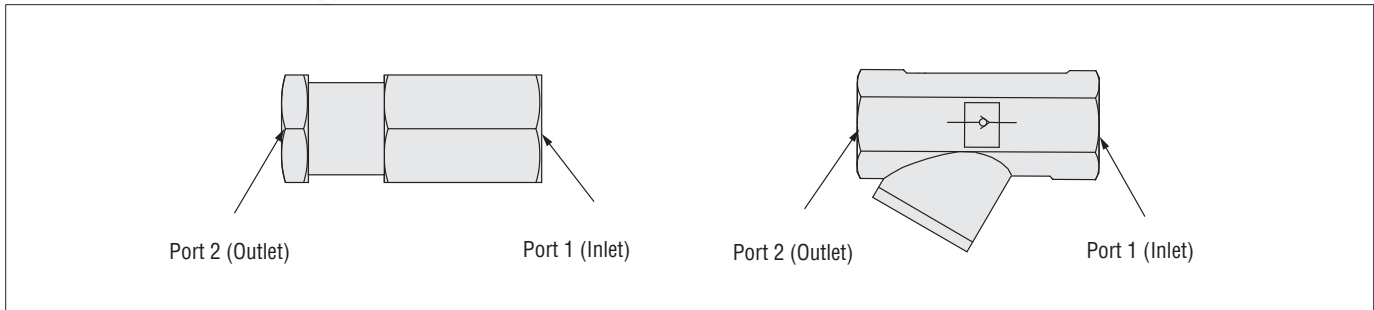
STANDARD SPECIFICATIONS				
GENERAL	Function	One-Way Valve		
	Construction Design	Poppet		
	Actuation	Pneumatic		
	Mounting	Type	Inline	
		Orientation	Any	
Connection	Threaded Port	NPT		
		G		
OPERATING CONDITIONS	Temperature	Ambient	-40° to 175°F (-40° to 80°C)	
		Media		
		<i>For temperatures below 40° F (4° C) air must be free of water vapor to prevent formation of ice.</i>		
	<i>For temperatures below -40° F (-40° C), consult ROSS.</i>			
	Flow Media	Filtered air		
Operating Pressure	150 psi (10.3 bar)			
	Signal Pressure	Must be equal to or greater than inlet		
CONSTRUCTION MATERIAL	Valve Body	Cast Aluminum		
	Poppet	Acetal and Stainless Steel		
	Seals	Buna-N		
<p>IMPORTANT NOTE: Please read carefully and thoroughly all of the CAUTIONS, WARNINGS on the inside back cover.</p>				

PRODUCT CREDENTIALS
EAC Conformity Declaration


Ordering Information

CHECK VALVES			One-Way Valves	
Valve Style	Body Size	Port Size	Valve Model Number	
		In-Out	NPT Thread	G Thread
Low-Profile	1/4	1/8	1968D1005	D1968D1005
		1/4	1968D2005	D1968D2005
Mid-Range	1/4	1/4	1968D2001	D1968D2001
	3/8	3/8	1968D3001	D1968D3001
		1/2	1968D4001	D1968D4001
High-Capacity	3/4	1/2	1968A4107	D1968A4107
		3/4	1968A5107	D1968A5107
		1	1968A6117	D1968A6117
	1-1/4	1	1968A6107	D1968A6107
		1-1/4	1968A7107	D1968A7107
		1-1/2	1968A8117	D1968A8117
	2	1-1/2	1968A8107	D1968A8107
		2	1968A9107	D1968A9107
		2-1/2	1968A9117	D1968A9117

Valve Style	Size		Flow C _v (NI/min)	Weight lb (kg)
	Body	Port 1, 2	1-2	
Low-Profile	1/4	1/8	0.5 (490)	0.5 (0.2)
		1/4	0.5 (490)	
Mid-Range	1/4	1/4	2.9 (2900)	0.5 (0.2)
	3/8	3/8	3.7 (3600)	
		1/2	3.9 (3800)	
High-Capacity	3/4	1/2	5.2 (5100)	0.9 (0.4)
		3/4	8.6 (8500)	
		1	8.3 (8200)	
	1-1/4	1	17 (17000)	2.0 (0.9)
		1-1/4	22 (22000)	
		1-1/2	22 (22000)	
	2	1-1/2	50 (49000)	4.7 (2.1)
		2	50 (49000)	
		2-1/2	50 (49000)	



DIMENSIONS		Inches (mm)
Low-Profile	Body Size 1/4	
Mid-Range	Body Size 1/4	Body Size 3/8
High-Capacity	Body Size 3/4	
	Body Size 1-1/4	
Body Size 2		

Downloadable CAD models available.