



## 2/2 way compact flange ball valve

- Manually operated
- Low torques
- Long service life
- Maintenance friendly
- High flow rate



Product variants described in the data sheet may differ from the product presentation and description.

### Type description

The 2/2 way compact flange ball valve in stainless steel is used to shut off medium flows.

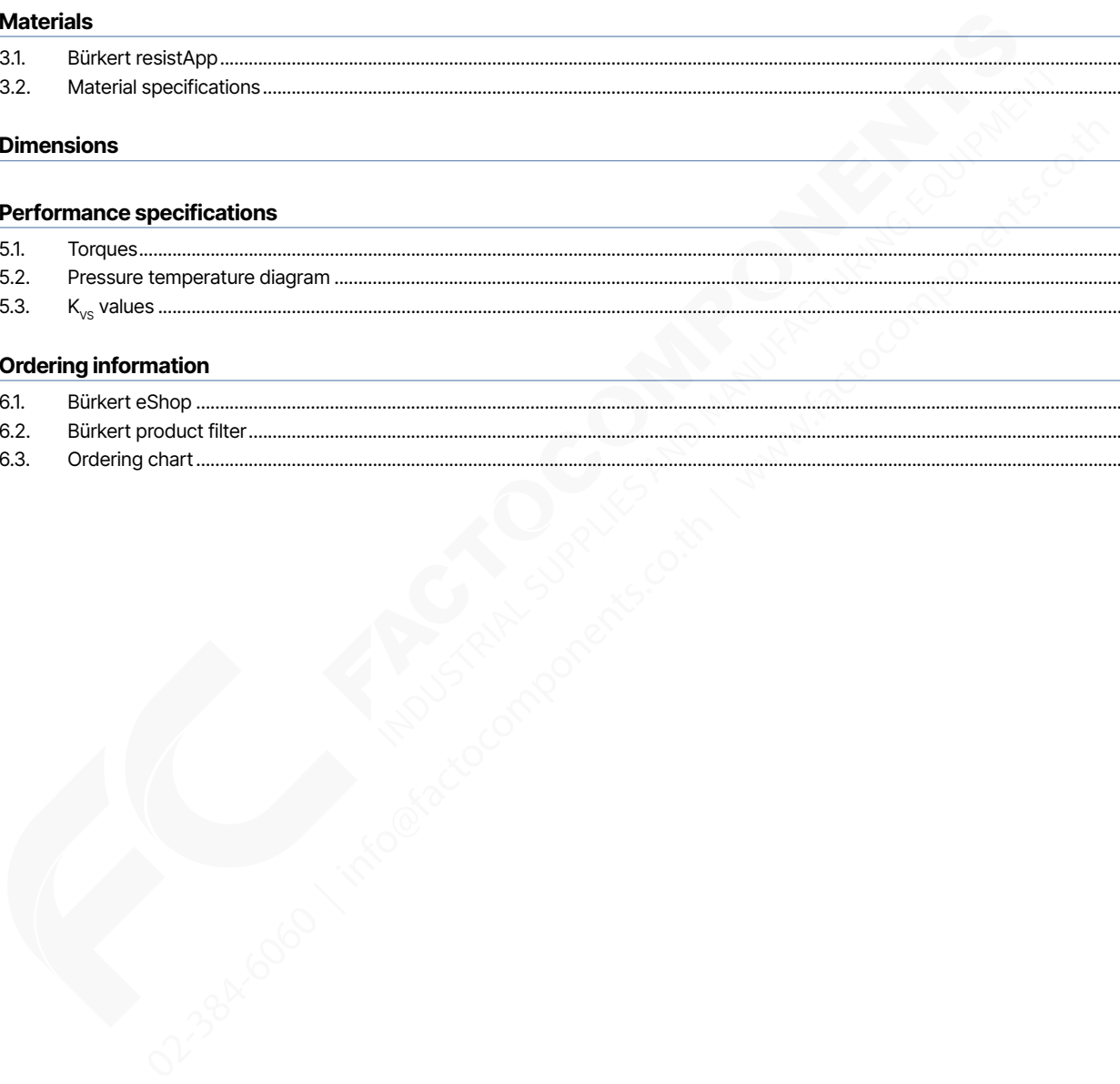
Nominal diameter DN 15...150.



## Table of contents

<b>1. General technical data</b>	<b>3</b>
<hr/>	
<b>2. Approvals and conformities</b>	<b>3</b>
2.1. General notes .....	3
2.2. Conformity .....	3
2.3. Standards .....	3
<hr/>	
<b>3. Materials</b>	<b>3</b>
3.1. Bürkert resistApp .....	3
3.2. Material specifications .....	4
<hr/>	
<b>4. Dimensions</b>	<b>5</b>
<hr/>	
<b>5. Performance specifications</b>	<b>6</b>
5.1. Torques .....	6
5.2. Pressure temperature diagram .....	6
5.3. $K_{vs}$ values .....	6
<hr/>	
<b>6. Ordering information</b>	<b>7</b>
6.1. Bürkert eShop .....	7
6.2. Bürkert product filter .....	7
6.3. Ordering chart .....	7

DTS 1000112284 EN Version: L Status: RL (released | freigegeben | valide) printed: 18.12.2024



## 1. General technical data

### Product properties

Dimensions Further information can be found in chapter "4. Dimensions" on page 5.

### Material

Seal PTFE  
 Housing Steel 1.0619  
 Stainless steel 1.4408  
 Ball Stainless steel 1.4401  
 Further information on materials can be found in chapter "3. Materials" on page 3.

### Performance data

Temperature range -10 °C...+200 °C  
 Further information can be found in chapter "5.2. Pressure temperature diagram" on page 6.  
 Pressure range Technical vacuum (10...3 Torr)...40 bar<sup>1)</sup>  
 PN 40: DN 15...50 mm  
 PN 16: DN 65...150 mm  
 Other pressure ranges on request

### Process/Port connection & communication

Nominal diameter DN 15...150  
 Actuator-side interface According to EN ISO 5211

1.) Pressure values: overpressure to atmospheric pressure

## 2. Approvals and conformities

### 2.1. General notes

- The approvals and conformities listed below must be stated when making enquiries. This is the only way to ensure that the product complies with all required specifications.
- Not all available variants can be supplied with the below mentioned approvals or conformities.

### 2.2. Conformity

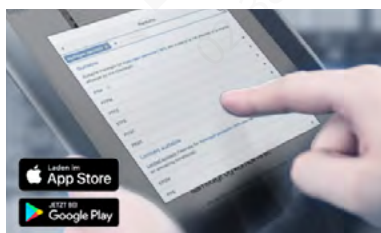
In accordance with the Declaration of Conformity, the product is compliant with the EU Directives.

### 2.3. Standards

The applied standards which are used to demonstrate compliance with the EU Directives are listed in the EU-Type Examination Certificate and/or the EU Declaration of Conformity.

## 3. Materials

### 3.1. Bürkert resistApp



#### Bürkert resistApp – Chemical resistance chart

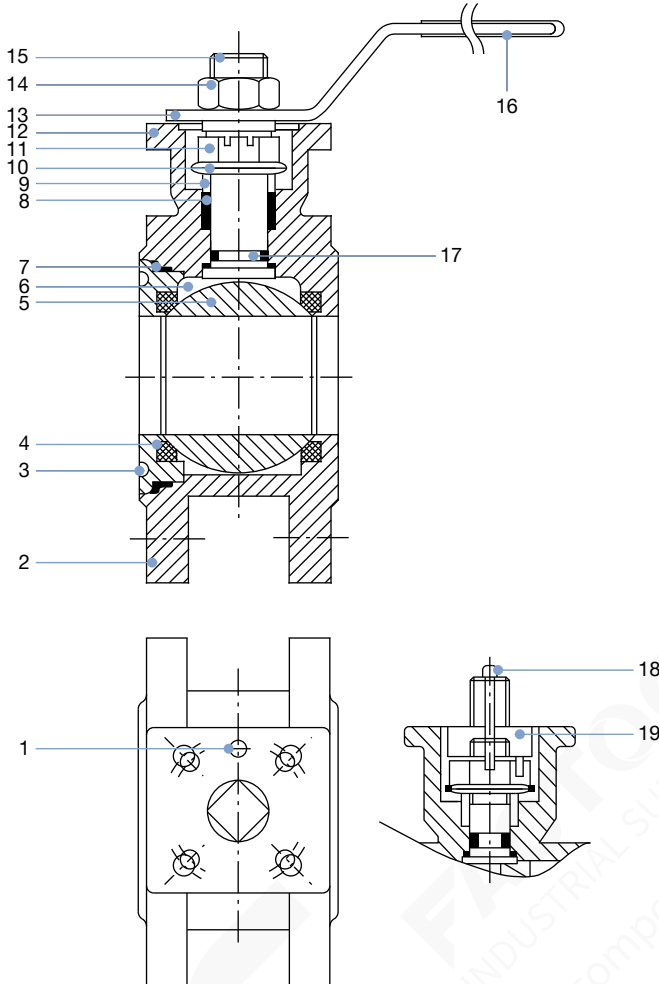
You want to ensure the reliability and durability of the materials in your individual application case? Verify your combination of media and materials on our website or in our resistApp.

[Start chemical resistance check](#)

### 3.2. Material specifications

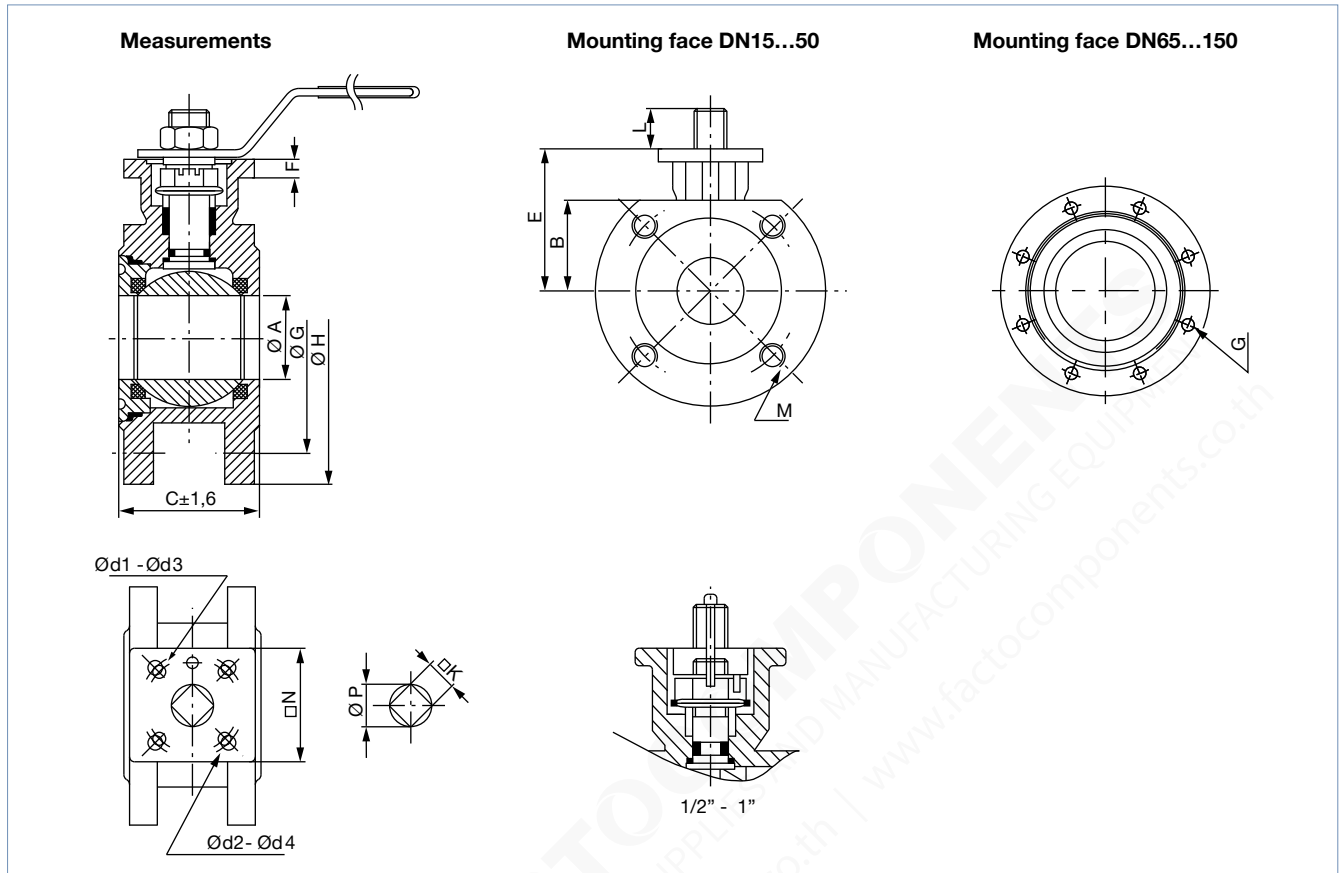
**Note:**

Integrated actuator-side interface according to ISO 5211



No.	Element	Qty.	Material steel variant	Material stainless steel variant
1	Stopper	1	1.4301	1.4301
2	Body	1	1.0619	1.4408
3	Screw-in fitting	1	1.0619	1.4408
4	Ball seal	2	PTFE	PTFE
5	Ball	1	1.430	1.4401
6	Thrust collar	1	PTFE	PTFE
7	Body seal	1	PTFE	PTFE
8	Stem seal	1 unit	PTFE	PTFE
9	Packing gland ring	2	1.4301	1.4301
10	Disc spring	2	SUS 301	SUS 301
11	Packing gland	1	1.4301	1.4301
12	Circlip	1	1.4301	1.4301
13	Handle	1	1.4301	1.4301
14	Nut	1	1.4301	1.4301
15	Selector shaft	1	1.4301	1.4401
16	Handle cover	1	Plastic	Plastic
17	O-ring	1	FKM	FKM
18	Spigot	1	1.4301	1.4301
19	Driver	1	1.4301	1.4301

### 4. Dimensions



DN	C	Ø G	Ø H	Ø A	B	E	Interface acc. to ISO 5211	Ø d1	Ø d2	Ø d3	Ø d4	K	L	M
								[mm]	[mm]	[mm]	[mm]			
15	40	65	95	15	34.5	60	F03/F04	36	42	6	5.5	9	8	M12 × 1.75
20	44	75	105	20	38.5	64.3	F03/F04	36	42	6	5.5	9	11	M12 × 1.75
25	53	85	115	25	44.6	64.6	F04/F05	42	50	5.5	7	11	11	M12 × 1.75
32	58.4	100	135	32	51	69.0	F04/F05	42	50	5.5	7	11	11	M16 × 2
40	62	110	145	38	55	76.3	F05/F07	50	70	7	8.5	14	17	M16 × 2
50	78	125	155	50	63	85.7	F05/F07	50	70	7	8.5	14	15	M16 × 2
65	100	145	185	65	73.5	105	F07	-	70	-	9	17	17	M16 × 2 (8 holes)
80	120	160	200	76	94	123	F07	-	70	-	9	17	17	M16 × 2 (8 holes)
100	152	180	220	96	105	132	F07/F10	70	102	9	10.5	17	29	M16 × 2 (8 holes)
125	180	188	250	114	125	157.5	F10/F12	102	125	10.5	12.5	27	36	M16 × 2 (8 holes)
150	215	212	285	135	142.5	172.5	F10/F12	102	125	10.5	12.5	27	36	M20 × 2.5 (8 holes)

DTS 1000112284 EN Version: L Status: RL (released | freigegeben | valide) printed: 18.12.2024

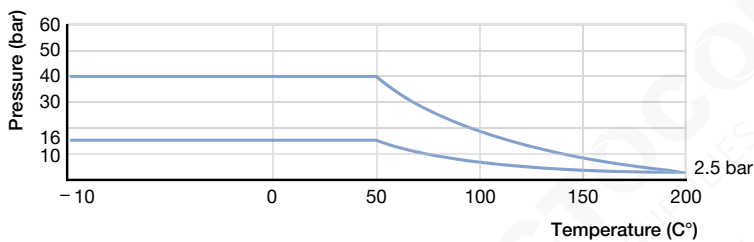
## 5. Performance specifications

### 5.1. Torques

DN	Breakaway torque	Running torque
	[Nm]	[Nm]
15	10	7
20	13	9
25	17	11
32	24	16
40	35	23
50	54	36
65	85	60
80	117	82
100	148	98
125	265	195
150	355	250

### 5.2. Pressure temperature diagram

For general industrial use



### 5.3. $K_{vs}$ values

**Note:**

- Nominal flow-rate value for water according to VDI/VDE 2173
- Measured at a medium temperature from + 15 °C, 1 bar<sup>1)</sup> pressure at inlet and free outlet


DN	$K_{vs}$ value [m <sup>3</sup> /h]
15	35
20	46
25	72
32	105
40	170
50	275
65	507
80	905
100	1414
125	2362
150	3674

1.) Pressure data: overpressure to atmospheric pressure

DTS 1000112284 EN Version: L Status: RL (released | freigegeben | validé) printed: 18.12.2024

## 6. Ordering information

### 6.1. Bürkert eShop




**Bürkert eShop – Easy ordering and quick delivery**

You want to find your desired Bürkert product or spare part quickly and order directly? Our online shop is available for you 24/7. Sign up and enjoy all the benefits.

[Order online now](#)

### 6.2. Bürkert product filter



**Bürkert product filter – Get quickly to the right product**

You want to select products comfortably based on your technical requirements? Use the Bürkert product filter and find suitable articles for your application quickly and easily.

[Try out our product filter](#)

### 6.3. Ordering chart

**Note:**

Details about the dimensions see ["4. Dimensions"](#) on page 5.

DN	Article no. steel variant	Article no. stainless steel variant
15	788860	784971
20	788861	787066
25	788862	784775
32	788863	784776
40	788864	784777
50	788865	784778
65	788866	784779
80	788867	784780
100	788868	784781
125	788869	784968
150	788870	784969

DTS 1000112284 EN Version: L Status: RL (released | freigegeben | validé) printed: 18.12.2024