



Resistance thermometer Pt100

- Compact variant
- Wetted material stainless steel 1.4571
- Wide range of applications for neutral mediums and aggressive fluids
- With cable plug or cable

Product variants described in the data sheet may differ from the product presentation and description.

Type description

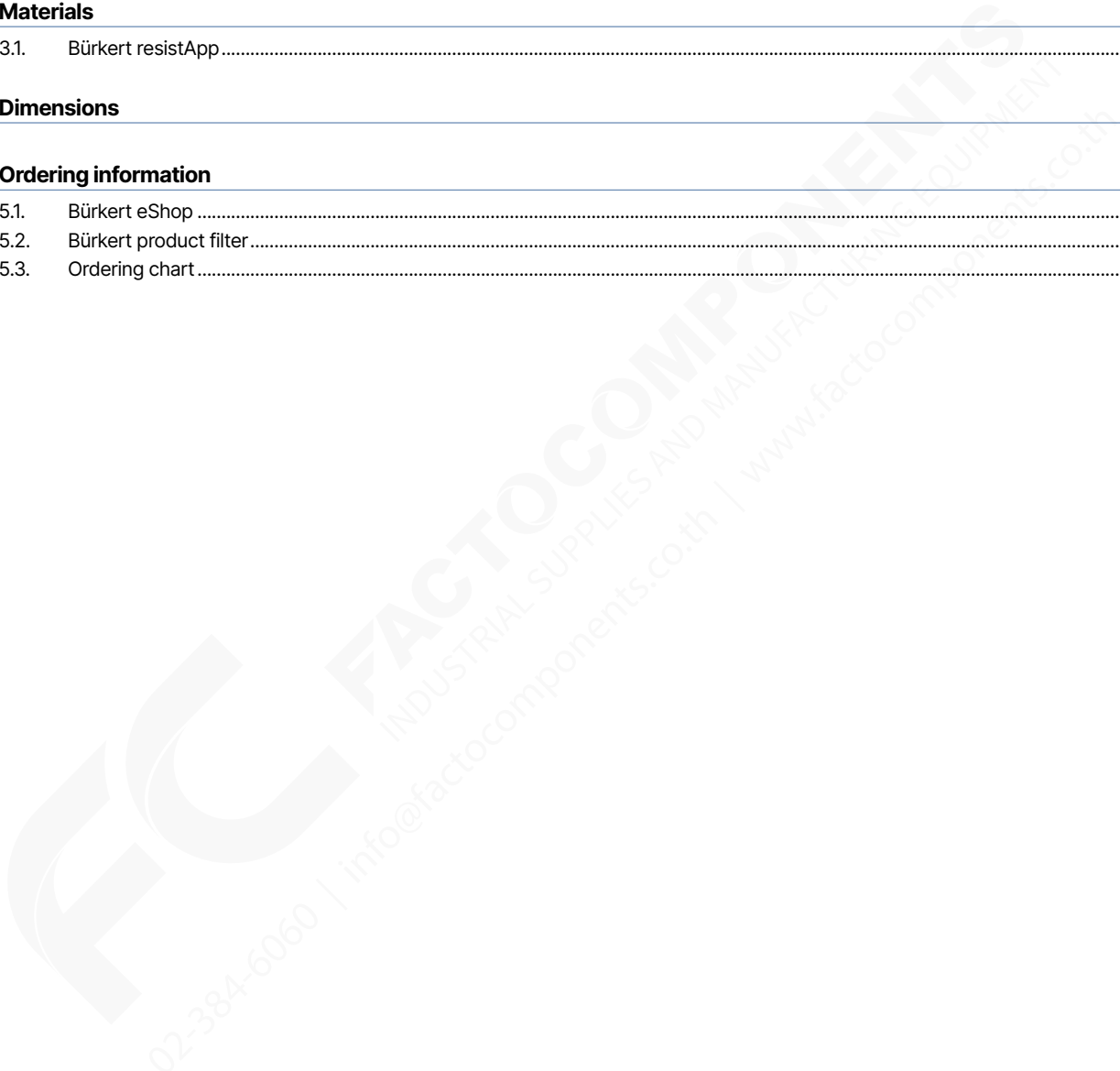
Temperature measuring with Pt100 temperature probe integrated in stainless steel tube. Measuring unit according to DIN 910 screwed and welded-in (not exchangeable). Wide range of applications for neutral and aggressive media. Accuracy class B (ΔT [degree]= $\pm 0.3 \pm 0.005 T$ [°C]).



Table of contents

1. General technical data	3
2. Approvals and conformities	3
2.1. General notes	3
2.2. Conformity	3
2.3. Standards	3
3. Materials	3
3.1. Bürkert resistApp	3
4. Dimensions	4
5. Ordering information	4
5.1. Bürkert eShop	4
5.2. Bürkert product filter	5
5.3. Ordering chart	5

DTS 1000110272 EN Version: G Status: RL (released | freigegeben | valide) printed: 24.09.2024



1. General technical data

Product properties	
Dimensions	Further information can be found in chapter "4. Dimensions" on page 4.
Material	
Protection tube	Stainless steel 1.4571
Measuring surface	Flat
Measuring range	Up to + 125 °C with cable plug Up to + 200 °C with cable
Connection cable	3 m, PTFE silicone isolation, screened
Connection	External thread G ½
Cable plug	Type 2508 according to DIN 43650 Form A
Approvals and conformities	
Protection class	IP65
Environment and installation	
Umgebungstemperatur	Max. + 80 °C

2. Approvals and conformities

2.1. General notes

- The approvals and conformities listed below must be stated when making enquiries. This is the only way to ensure that the product complies with all required specifications.
- Not all available variants can be supplied with the below mentioned approvals or conformities.

2.2. Conformity

In accordance with the Declaration of Conformity, the product is compliant with the EU Directives.

2.3. Standards

The applied standards which are used to demonstrate compliance with the EU Directives are listed in the EU-Type Examination Certificate and/or the EU Declaration of Conformity.

3. Materials

3.1. Bürkert resistApp



Bürkert resistApp – Chemical resistance chart

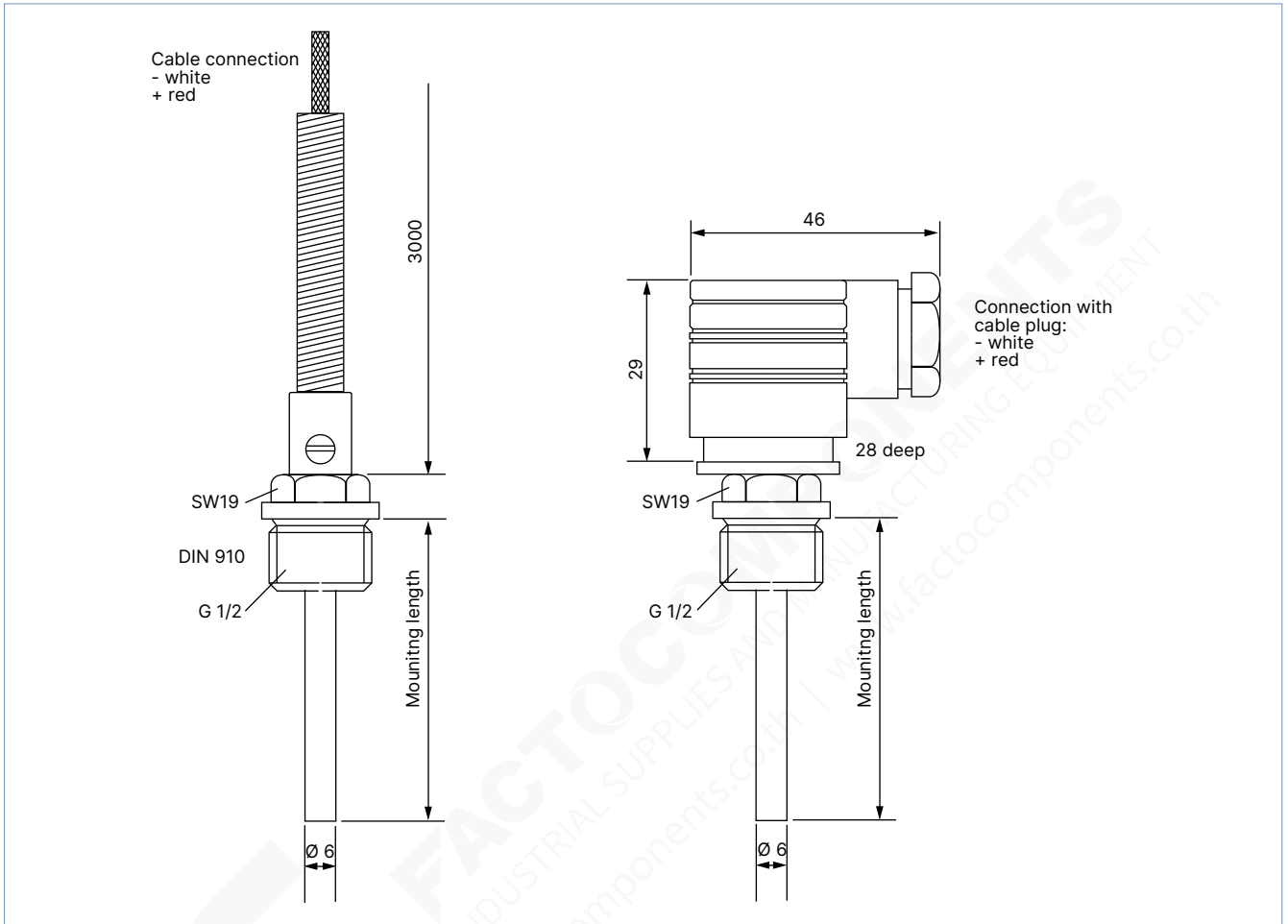
You want to ensure the reliability and durability of the materials in your individual application case? Verify your combination of media and materials on our website or in our resistApp.

[Start chemical resistance check](#)

4. Dimensions

Note:

Dimensions in mm



5. Ordering information

5.1. Bürkert eShop




Bürkert eShop – Easy ordering and quick delivery

You want to find your desired Bürkert product or spare part quickly and order directly? Our online shop is available for you 24/7. Sign up and enjoy all the benefits.

[Order online now](#)

5.2. Bürkert product filter



Bürkert product filter – Get quickly to the right product

You want to select products comfortably based on your technical requirements? Use the Bürkert product filter and find suitable articles for your application quickly and easily.

[Try out our product filter](#)

5.3. Ordering chart

Electrical connection	Mounting length	Article no.
	[mm]	
3 m cable	50	783713
3 m cable	100	783714
Cable plug	50	783715
Cable plug	100	783716

DTS 1000110272 EN Version: G Status: RL (released | freigegeben | valide) printed: 24.09.2024

FACTOCOMponents

INDUSTRIAL SUPPLIES AND MANUFACTURING EQUIPMENT

02-384-6060 | info@factocomponents.co.th | www.factocomponents.co.th