






Magnetic inductive sensor with flange

- For connection to a transmitter Type SE58 (with or without display, in compact or remote variant) for flow measurement
- Design mainly for use in applications with water
- Flow measurement 25...approx. 75.000 l/min for DN 25...DN 400

Product variants described in the data sheet may differ from the product presentation and description.

Can be combined with

	Type SE58 ▶ L variant of the transmitter for electromagnetic-inductive flow sensors
	Type SE58 ▶ M variant of the transmitter for electromagnetic-inductive flow sensors
	Type SE58 ▶ S variant of the transmitter for electromagnetic-inductive flow sensors

Type description

The magnetically inductive flow sensor Type S055 (compact or remote variant) is suitable for liquids with a minimum conductivity and for use in applications with requirements in areas of water measurements.

The combination with the dedicated Type SE58 S transmitter (minimum required conductivity: 20 $\mu\text{S}/\text{cm}$) or with the Type SE58 M or Type SE58 L transmitters (minimum conductivity required: 5 $\mu\text{S}/\text{cm}$) results in a flowmeter with different performance, functions, materials and approvals, with the corresponding suitability for the respective applications depending on the respective requirements.

With the Type SE58 S you get a compact device, with the Type SE58 M and Type SE58 L compact devices or remote variants are created for which the transmitter and sensor are connected by 2 cables up to a maximum length. Standard process connections available for the Type S055 are flange connections.



Table of contents

1. General technical data	3
2. Approvals and conformities	5
2.1. Conformity	5
2.2. Standards.....	5
3. Materials	5
3.1. Bürkert resistApp	5
4. Dimensions	6
4.1. Compact variant.....	6
4.2. Remote variant with junction box6	7
5. Product installation	8
5.1. Installation notes	8
Flow measurement.....	8
5.2. Selection of the nominal diameter	9
6. Product operation	9
6.1. Measuring principle.....	9
7. Ordering information	10
7.1. Bürkert eShop	10
7.2. Recommendation regarding product selection.....	10
7.3. Bürkert product filter.....	10
7.4. Ordering chart	11
7.5. Ordering chart accessories.....	12

DTS 1000471664 EN Version: E Status: RL (released | freigegeben | validé) printed: 16.07.2024

1. General technical data

The electromagnetic flow sensor Type S055 in a compact or remote variant is intended for use with transmitter Type SE58, which is available in three variants L, M or S.



Further information can be found in the data sheet of the transmitter, see [data sheet Type SE58](#) ▶.

Product properties

Material	
Non wetted parts	
Sensor housing	Carbon steel painted (stainless steel 304 or 316 on request)
Junction box	Only for remote sensor: painted aluminium (on request: stainless steel 304 (1.4301) raw or polished)
Wetted parts	
Lining	PP or ebonite (hard rubber) (PTFE on request)
Electrode	Stainless steel 316L (Alloy C276, Titanium, Tantalum, Platinum-rhodium on request)
Seal	<ul style="list-style-type: none"> • FKM (EPDM on request) with PP lining • Without gasket with ebonite (hard rubber) lining (with PTFE lining on request)
Pipe diameter	DN 25...DN 200 (upper DN on request)
Dimensions	Further information can be found in chapter “4. Dimensions” on page 6 .
Measuring principle	Electromagnetic induction Further information can be found in chapter “6.1. Measuring principle” on page 9 .
Measuring range	0...0.72 m³/h to 0...1130 m³/h (upper on request) Further information can be found in chapter “7.4. Ordering chart” on page 11 .

Performance data

At reference conditions and according to internal test procedures:	
<ul style="list-style-type: none"> • At room temperature • Constant flow rate during the test, liquid speed > 1 m/s • Pressure: >30 Kpa • Flow condition: observed inlet and outlet conditions • Zero point stability: ±0.005 % 	
Measurement deviation	If used with Type SE58 transmitter: <ul style="list-style-type: none"> • in compact or remote L variant: ≤ ±0.2 % of the measured value for flow velocity >0.5 m/s • in compact or remote M variant: ≤ ±0.8 % of the measured value for flow velocity >0.5 m/s • in compact S variant: ≤ ±0.5 % of the measured value for flow velocity >0.5 m/s See data sheet Type SE58 ▶
Repeatability	If used with Type SE58 transmitter: <ul style="list-style-type: none"> • in compact or remote L variant: ≤ ±0.1 % of the measured value for flow velocity >0.5 m/s • in compact or remote M variant: ≤ ±0.4 % of the measured value for flow velocity >0.5 m/s • in compact S variant: ≤ ±0.25 % of the measured value for flow velocity >0.5 m/s See data sheet Type SE58 ▶
Vacuum resistance	200 mbar (2.9 PSI) absolute at 100 °C (212 °F) for PTFE, at 60 °C (140 °F) for PP and at 80 °C (176 °F) for ebonite

Medium data

Fluid temperature	<ul style="list-style-type: none"> • With PP lining, if used with Type SE58 transmitter: <ul style="list-style-type: none"> – in compact variant: -0...+60 °C (+32...+140 °F) – in remote variant: -0...+60 °C (+32...+140 °F) • With ebonite lining, if used with Type SE58 transmitter: <ul style="list-style-type: none"> – in compact variant: -5...+80 °C (+23...+176 °F) – in remote variant: -5...+80 °C (+23...+176 °F) • With PTFE lining (on request), if used with Type SE58 transmitter: <ul style="list-style-type: none"> – in compact variant: -20...+100 °C (-4...+212 °F) – in remote variant: -20...+110 °C (-4...+230 °F)
Fluid pressure	<ul style="list-style-type: none"> • PN 16 (232 PSI) with PP or ebonite lining • PN 40 on request, only with PTFE lining up to DN 150
Minimum conductivity	5 µS/cm (or 20 µS/cm with demineralised water)

Process/Pipe connection & communication

Pipe connection	Flange EN1092-1, ANSI B16-5, (JIS on request)
Electrical connection	2 cable glands PG9 (for remote variant of the sensor)

Approvals and conformities

Directives

CE directive	Further information on the CE directive can be found in chapter “2.2. Standards” on page 5.
Pressure equipment directive	<p>The device is subject to the requirements of the Pressure Equipment Directive 2014/68/EU. Category II device for group 1 and 2 fluids under the following conditions:</p> <ul style="list-style-type: none"> • maximum allowable pressure (PS) ≤ 40 bar • minimum/maximum temperature (TS): -10/+130 °C • within the following limits for liquids of group 2: <ul style="list-style-type: none"> – PN 10 for DN 400...DN 500 – PN 16 for DN 250...DN 300 – PN 25 for DN 200...DN 250 – PN 40 for DN 40...DN 250 • within the following limits for liquids of group 1 with a vapour pressure at the maximum allowable temperature not exceeding 0.5 bar (g): for diameters above DN 25 and PS x DN > 2000

Environment and installation

Ambient temperature	According to the used variant of Type SE58 transmitter and its material Further information can be found in the data sheet of the transmitter, see data sheet Type SE58 ▶.
Relative air humidity	≤ 90 %, without condensation
Height above sea level	Max. 2000 m
Operating condition	Continuous
Equipment mobility	Fixed
Application range	Indoor and outdoor Protect the device against electromagnetic interference, ultraviolet rays and against the effects of climatic conditions.
Degree of protection according to IEC/EN 60529	<p>If use with transmitter Type SE58:</p> <ul style="list-style-type: none"> • in compact L and M variant: IP67 (IP68 optional) • in compact S variant: IP67 (IP68 optional) • in remote L and M variant: IP68
Installation category	Category II according to UL/EN 61010-1
Pollution degree	Degree 2 according to UL/EN 61010-1

2. Approvals and conformities

2.1. Conformity

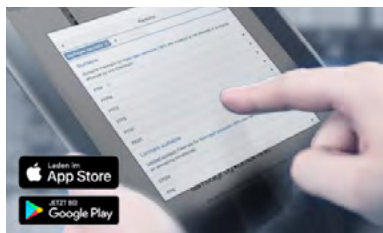
In accordance with the Declaration of Conformity, the product is compliant with the EU Directives.

2.2. Standards

The applied standards which are used to demonstrate compliance with the EU Directives are listed in the EU-Type Examination Certificate and/or the EU Declaration of Conformity.

3. Materials

3.1. Bürkert resistApp



Bürkert resistApp – Chemical resistance chart

You want to ensure the reliability and durability of the materials in your individual application case? Verify your combination of media and materials on our website or in our resistApp.

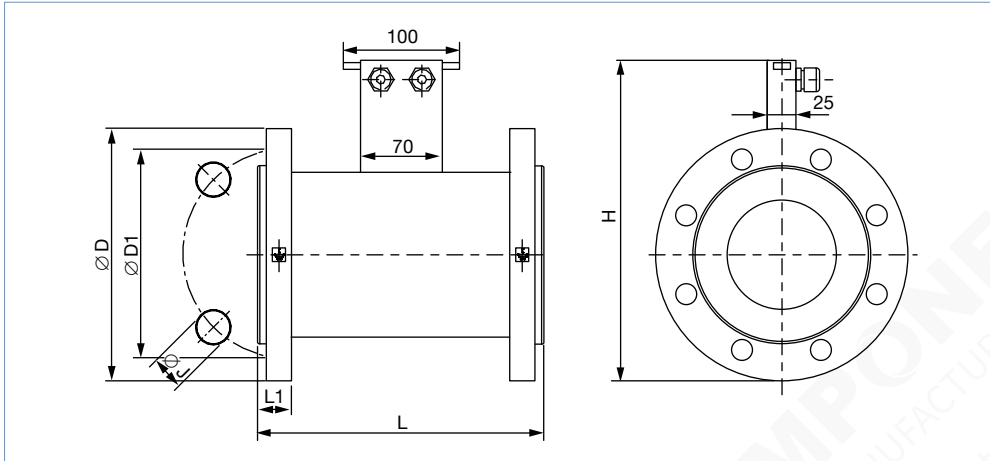
[Start chemical resistance check](#)

4. Dimensions

4.1. Compact variant

Note:

- PN 16 (232 PSI) with PP or ebonite lining
- Further information on the dimensions of the Type SE58 transmitter can be found in **data sheet Type SE58** ▶
- Dimensions in mm, unless otherwise stated



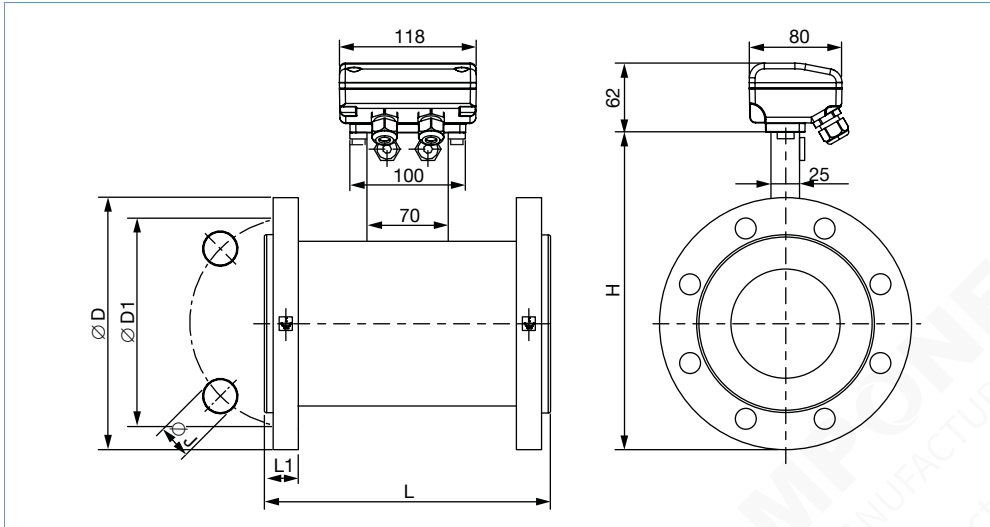
DN	H	Standard	L	L1	ØD	ØD1	ØJ
25	185	EN 1092-1	200	18	115	85	4 x 14
	182	ANSI 150 RF		16.3	107.9	79.4	4 x 15.9
32	203	EN 1092-1	200	18	140	100	4 x 18
	192	ANSI 150 RF		17.9	117.5	88.9	4 x 15.9
40	213	EN 1092-1	200	18	150	110	4 x 18
	202	ANSI 150 RF		19.5	127	98.4	4 x 15.9
50	228	EN 1092-1	200	18	165	125	4 x 18
	222	ANSI 150 RF		21.1	152.4	120.7	4 x 19
65	248	EN 1092-1	200	18	185	145	4 x 18
	245	ANSI 150 RF		24.3	177.8	139.7	4 x 19
80	263	EN 1092-1	200	20	200	160	8 x 18
	258	ANSI 150 RF		25.9	190.5	152.4	4 x 19
100	283	EN 1092-1	250	20	220	180	8 x 18
	287	ANSI 150 RF		25.9	228.6	190.5	8 x 19
125	313	EN 1092-1	250	22	250	210	8 x 18
	315	ANSI 150 RF		25.9	254	215.9	8 x 22.2
150	344	EN 1092-1	300	22	285	240	8 x 22
	341	ANSI 150 RF		27.4	279.4	241.3	8 x 22.2
200	399	EN 1092-1	350	24	340	295	12 x 22
	401	ANSI 150 RF		30.6	342.9	298.5	8 x 22.2

DTS 1000471664 EN Version: E Status: RL (released | freigegeben | validé) printed: 16.07.2024

4.2. Remote variant with junction box6

Note:

- PN 16 (232 PSI) with PP or ebonite lining
- Further information on the dimensions of the Type SE58 transmitter can be found in **data sheet Type SE58** ▶
- Dimensions in mm, unless otherwise stated



DN	H	Standard	L	L1	ØD	ØD1	ØJ
25	185	EN 1092-1	200	18	115	85	4x14
	182	ANSI 150 RF		16.3	107.9	79.4	4x15.9
32	203	EN 1092-1	200	18	140	100	4x18
	192	ANSI 150 RF		17.9	117.5	88.9	4x15.9
40	213	EN 1092-1	200	18	150	110	4x18
	202	ANSI 150 RF		19.5	127	98.4	4x15.9
50	228	EN 1092-1	200	18	165	125	4x18
	222	ANSI 150 RF		21.1	152.4	120.7	4x19
65	248	EN 1092-1	200	18	185	145	4x18
	245	ANSI 150 RF		24.3	177.8	139.7	4x19
80	263	EN 1092-1	200	20	200	160	8x18
	258	ANSI 150 RF		25.9	190.5	152.4	4x19
100	283	EN 1092-1	250	20	220	180	8x18
	287	ANSI 150 RF		25.9	228.6	190.5	8x19
125	313	EN 1092-1	250	22	250	210	8x18
	315	ANSI 150 RF		25.9	254	215.9	8x22.2
150	344	EN 1092-1	300	22	285	240	8x22
	341	ANSI 150 RF		27.4	279.4	241.3	8x22.2
200	399	EN 1092-1	350	24	340	295	12x22
	401	ANSI 150 RF		30.6	342.9	298.5	8x22.2

DTS 1000471664 EN Version: E Status: RL (released | freigegeben | validé) printed: 16.07.2024

5. Product installation

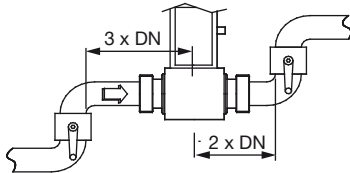
5.1. Installation notes

Flow measurement

Note:

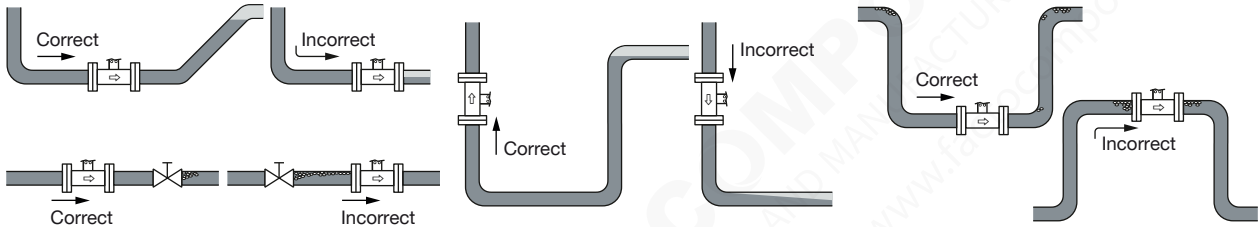
The device is not suitable for use in gaseous media and steam.

Minimum straight distances upstream and downstream of the sensor must be observed.



The device can be installed in either horizontal or vertical pipes, but following additional conditions should be respected:

- The pipe always has to be filled with fluid at all times near the device, when it is in operation.
- Mount the sensor in the indicated positions shown below to obtain an accurate flow measurement.



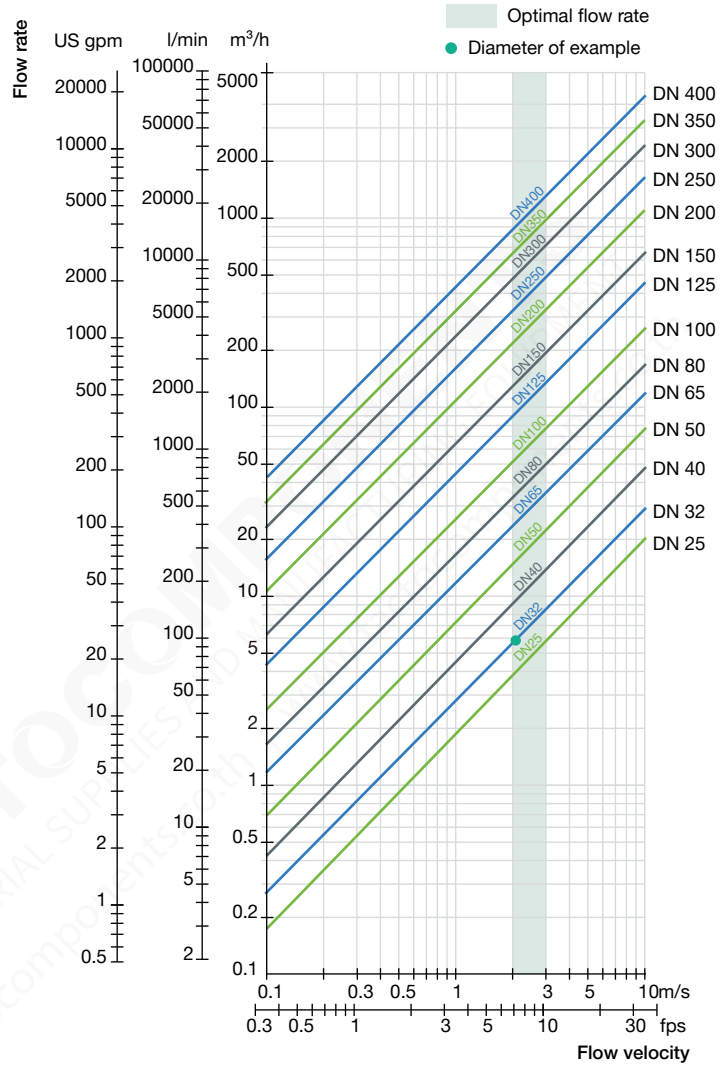
The suitable pipe size is selected using the diagram in the chapter [“5.2. Selection of the nominal diameter”](#) on page 9.

5.2. Selection of the nominal diameter

The following graph is used to determine the appropriate DN of the pipe and fitting for the application, according to the fluid velocity and the flow rate. On the chart, the intersection of flow velocity and flow rate gives the appropriate diameter.

Example:

- Nominal flow: 100 l/min
 - Optimal flow rate: 2...3 m/s
- Result: Select a pipe size of DN 32



6. Product operation

6.1. Measuring principle

Faraday's law serves as the physical basis for magnetic flow measurement.

Magnetic coils are arranged around the pipeline to generate a magnetic field. Conductive liquids flowing through the magnetic field induce a voltage at two opposite metallic electrodes in contact with the medium. These electrodes are used to measure the induced electrical alternating voltage.

The signal of sensor Type S055 must be amplified and processed by transmitter Type SE58.

Detailed information on the dimensions of the SE58 transmitter can be found in [data sheet Type SE58](#) ▶.

7. Ordering information

7.1. Bürkert eShop



Bürkert eShop – Easy ordering and quick delivery

You want to find your desired Bürkert product or spare part quickly and order directly? Our online shop is available for you 24/7. Sign up and enjoy all the benefits.

[Order online now](#)

7.2. Recommendation regarding product selection

A complete flowmeter consists of a Type S055 (compact or remote variant) and a Type SE58 transmitter (compact or remote variant).

See [data sheet Type SE58](#) ▶ for more information.

Two different components must be ordered in order to select a complete device. The following information is required:

- **Article no.** of the sensor **Type S055** (see [“7.4. Ordering chart” on page 11](#))
- **Article no.** of the transmitter **Type SE58** (see [data sheet Type SE58](#) ▶ for more information)

7.3. Bürkert product filter



Bürkert product filter – Get quickly to the right product

You want to select products comfortably based on your technical requirements? Use the Bürkert product filter and find suitable articles for your application quickly and easily.

[Try out our product filter](#)

7.4. Ordering chart

DN [mm]	Flow rate range		Pipe connection	Material				Article no.
	Min. 0...0.4 m/s	Max. 0...10 m/s		Housing	Electrode ^{1.)}	Seal	Lining	
Sensor Type S055, compact variant								
25	0...0.72 m³/h	0...18 m³/h	EN 1092-1 ANSI 150	Carbon steel	Stainless steel 316L	FKM	PP	553540
								554353
32	0...1.16 m³/h	0...29 m³/h	EN 1092-1 ANSI 150					553541
								560047
40	0...1.80 m³/h	0...45 m³/h	EN 1092-1 ANSI 150					553542
								560048
50	0...2.88 m³/h	0...72 m³/h	EN 1092-1 ANSI 150					553485
								554354
65	0...4.80 m³/h	0...120 m³/h	EN 1092-1 ANSI 150					553393
								558785
80	0...7.20 m³/h	0...180 m³/h	EN 1092-1 ANSI 150					553394
								554351
100	0...11.20 m³/h	0...280 m³/h	EN 1092-1 ANSI 150					553489
								554352
125	0...18.00 m³/h	0...450 m³/h	EN 1092-1 ANSI 150	559318				
				562955				
150	0...25.60 m³/h	0...640 m³/h	EN 1092-1 ANSI 150	557512				
				561426				
200	0...45.20 m³/h	0...1130 m³/h	EN 1092-1 ANSI 150	Carbon steel	Stainless steel 316L	-	Ebonite (hard rubber)	554217
								560568
Sensor Type S055, remote variant with junction box in painted aluminium and 10 m electrodes and coils cables (included)								
25	0...0.72 m³/h	0...18 m³/h	EN 1092-1 ANSI 150	Carbon steel	Stainless steel 316L	FKM	PP	448492
								559598
32	0...1.16 m³/h	0...29 m³/h	EN 1092-1 ANSI 150					448493
								562958
40	0...1.80 m³/h	0...45 m³/h	EN 1092-1 ANSI 150					448494
								559599
50	0...2.88 m³/h	0...72 m³/h	EN 1092-1 ANSI 150					448495
								562128
65	0...4.80 m³/h	0...120 m³/h	EN 1092-1 ANSI 150					448496
								562959
80	0...7.20 m³/h	0...180 m³/h	EN 1092-1 ANSI 150					448497
								562129
100	0...11.20 m³/h	0...280 m³/h	EN 1092-1 ANSI 150					448498
								555666
125	0...18.00 m³/h	0...450 m³/h	EN 1092-1 ANSI 150	560144				
				562956				
150	0...25.60 m³/h	0...640 m³/h	EN 1092-1 ANSI 150	554141				
				561952				
200	0...45.20 m³/h	0...1130 m³/h	EN 1092-1 ANSI 150	Carbon steel	Stainless steel 316L	-	Ebonite (hard rubber)	559753
								562135

1.) 3 electrodes (2 measuring electrodes + 1 ground electrode)

DTS 1000471664 EN Version: E Status: RL (released | freigegeben | validé) printed: 16.07.2024

Further variants on request

Material <ul style="list-style-type: none"> • Seal: EPDM • Lining: PTFE • Junction box: stainless steel 304 (1.4301) raw or polished • Body: stainless steel 304, stainless steel 316L • Electrodes: <ul style="list-style-type: none"> – Alloy C276 (2 measuring electrodes + 1 ground electrode) – Titanium (2 measuring electrodes + 1 ground electrode) – Tantalum (2 measuring electrodes + 1 ground electrode) – Platinum-rhodium (2 measuring electrodes + 1 ground electrode) 	Process connection Flange: ANSI 300; JIS 10 K
	Orifice DN > 200 ^{1.)}
	Pressure PN 10, PN 25, PN 40

1.) Ebonite (hard rubber) or PTFE lining material (if PTFE not selected then ebonite as standard)

7.5. Ordering chart accessories

Accessories for remote sensor	No.	Description	Article no.
	1	10 m cable for electrodes ^{1.)} For connecting the sensor (variant without junction box) Type S051, S054, S055 or S056 to the connecting box of the extension cable set	448518
	2	10 m cable for coils ^{1.)} For connecting the sensor (variant without junction box) Type S051, S054, S055 or S056 to the connecting box of the extension cable set	448519
	3	10 m cable for electrodes ^{1.)} For connecting <ul style="list-style-type: none"> • the connecting box of the extension cable set to the transmitter Type SE58 • the sensor (variant with junction box) Type S051, S054, S055 or S056 to the transmitter Type SE58 	562851
	4	10 m cable for coils ^{1.)} For connecting <ul style="list-style-type: none"> • the connecting box of the extension cable set to the transmitter Type SE58 • the sensor (variant with junction box) Type S051, S054, S055 or S056 to the transmitter Type SE58 	562852
	5	Connecting box of the extension cable set including resin	562853

1.) Cable lengths other than 10 m on request (for cables length >20 m, a preamplifier is supplied for an additional charge).

DTS 1000471664 EN Version: E Status: RL (released | freigegeben | validé) printed: 16.07.2024