



Direct-acting 2/2-way plunger valve

- Direct-acting, powerful valve with diameter of up to DN 13
- Vibration-proof, bolted coil system
- Energy-saving double coil technology with kick and drop variant
- Explosion proof versions
- High pressure variants for gases and liquids

Product variants described in the data sheet may differ from the product presentation and description.

Can be combined with



Type 2518

Cable plug,
form A according to
DIN EN 175301 - 803



Type 2509

Cable plug,
form A according to
DIN EN 175301 - 803



Type description

Valve 6027 is a direct-acting plunger valve. The stopper and plunger guide tube are welded together to enhance pressure resistance and leak-tightness. Various seal material combinations are available depending on the application. The coils are moulded with chemically resistant epoxy. An optional sliding ring bearing increases the service life with dry gases. Special seal technology is used for high-pressure applications. To reduce power consumption in operation, coils with Kick and Drop electronics assembly (double coil technology) are available. In combination with a plug in accordance with DIN EN 175301-803 Form A, the valves satisfy protection class IP65. NEMA 4X is available on request.



Table of contents

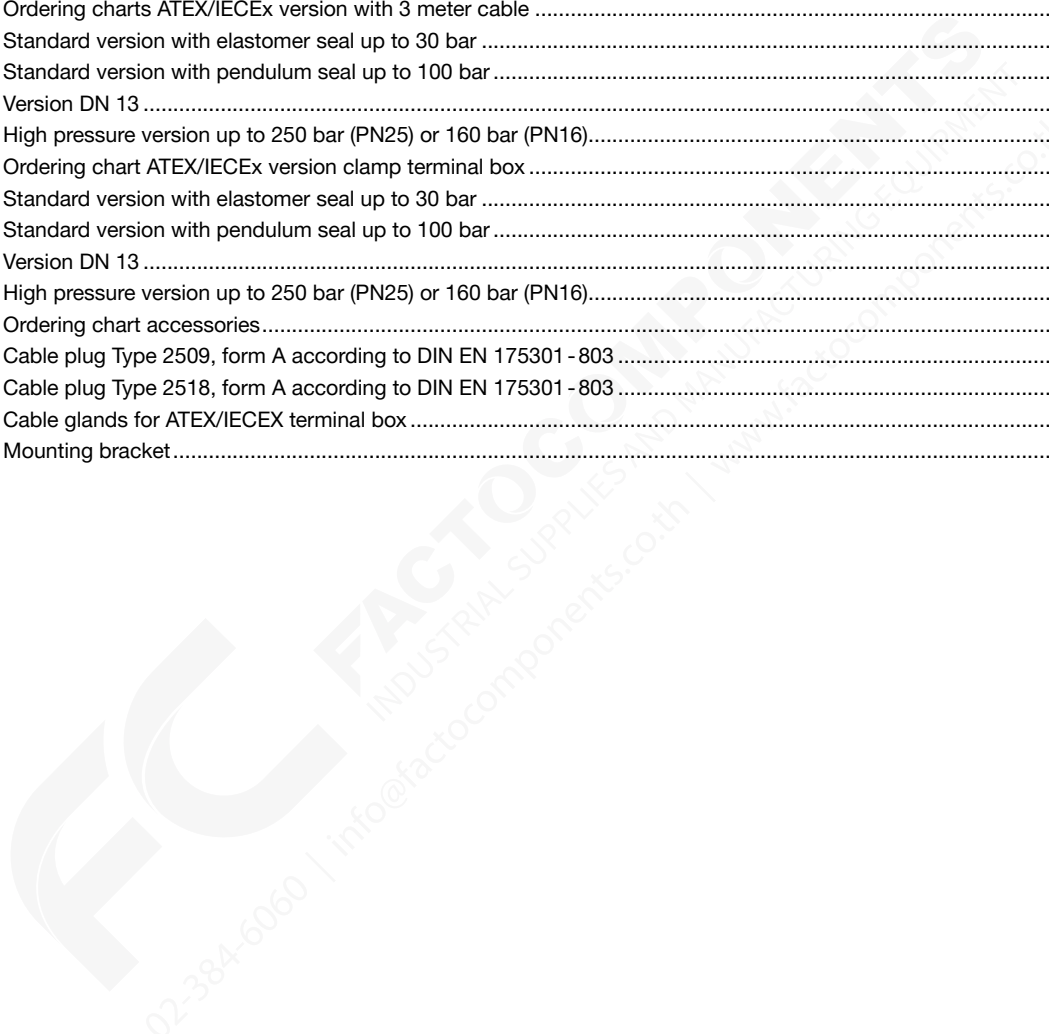
| | |
|---|-----------|
| 1. General technical data | 4 |
| 2. Circuit functions | 5 |
| 3. Approvals and conformities | 5 |
| 3.1. General notes..... | 5 |
| 3.2. Conformity | 5 |
| 3.3. Standards..... | 5 |
| 3.4. Explosion protection | 6 |
| 3.5. North America (USA/Canada) | 6 |
| 3.6. Drinking water | 6 |
| 3.7. Foods and beverages/Hygiene | 6 |
| 3.8. Others | 7 |
| Oxygen..... | 7 |
| Fire protection on railway vehicles..... | 7 |
| Safety shut-off valves | 7 |
| Fuel gases..... | 7 |
| 4. Materials | 8 |
| 4.1. Bürkert resistApp | 8 |
| 4.2. Standard version..... | 8 |
| Elastomer seal version up to 30 bar | 8 |
| Version with increased lifespan (NF39)..... | 8 |
| Version PTFE pendulum seal up to 100 bar..... | 9 |
| 4.3. High pressure version up to 250 bar (PN25) or 160 bar (PN16)..... | 9 |
| 4.4. Version DN 13 | 10 |
| Version DN 13 standard..... | 10 |
| Version DN 13 with increased lifespan (NF39)..... | 10 |
| 4.5. Oil burner version (PF15)..... | 11 |
| 5. Dimensions | 12 |
| 5.1. Standard version..... | 12 |
| Threaded version | 12 |
| Flange and screw-in version | 13 |
| Flange and screw-in version high pressure up to 250 bar (PN25) or 160 bar (PN16)..... | 14 |
| 5.2. Version DN 13 | 15 |
| 5.3. Oil burner version (PF15)..... | 16 |
| 5.4. UL Listed coil for hazardous locations, Class I, Division 2 | 17 |
| 6. Performance specifications | 18 |
| 6.1. Power consumption | 18 |
| 7. Product accessories | 18 |
| 7.1. Cable glands for ATEX/IECEx terminal box | 18 |
| 7.2. Special tool to turn the terminal box..... | 18 |

DTS 1000089742 EN Version: AN Status: RL (released | freigegeben | validé) printed: 15.05.2024

8. Ordering information 19

- 8.1. Bürkert eShop 19
- 8.2. Bürkert product filter 19
- 8.3. Bürkert Product Enquiry Form 19
- 8.4. Ordering chart standard version elastomer seal up to 30 bar 20
- 8.5. Ordering chart standard version pendulum seal up to 100 bar 21
- 8.6. Ordering chart high pressure version up to 250 bar (PN25) or 160 bar (PN16) 22
- 8.7. Ordering chart version DN 13 with increased lifespan (NF39) 23
- 8.8. Ordering chart DIN EN 161 (PO19) certification version 23
- 8.9. Ordering chart oil burner version (PF15) 24
- Flow valve/return valve combinations 24
- 8.10. Ordering charts ATEX/IECEX version with 3 meter cable 25
- Standard version with elastomer seal up to 30 bar 25
- Standard version with pendulum seal up to 100 bar 26
- Version DN 13 26
- High pressure version up to 250 bar (PN25) or 160 bar (PN16) 27
- 8.11. Ordering chart ATEX/IECEX version clamp terminal box 27
- Standard version with elastomer seal up to 30 bar 27
- Standard version with pendulum seal up to 100 bar 28
- Version DN 13 28
- High pressure version up to 250 bar (PN25) or 160 bar (PN16) 29
- 8.12. Ordering chart accessories 30
- Cable plug Type 2509, form A according to DIN EN 175301 - 803 30
- Cable plug Type 2518, form A according to DIN EN 175301 - 803 30
- Cable glands for ATEX/IECEX terminal box 31
- Mounting bracket 31

DTS 1000089742 EN Version: AN Status: RL (released | freigegeben | validé) printed: 15.05.2024



1. General technical data

| Product properties | |
|--|--|
| Dimensions | Further information can be found in chapter "5. Dimensions" on page 12. |
| Material | |
| Seal | FKM, EPDM, NBR, PTFE and PEEK |
| Body | Brass, stainless steel 1.4404/316L |
| Coil | Epoxy |
| Valve inner parts | Further information can be found in chapter "4. Materials" on page 8. |
| Orifice | DN 1.0...DN 13.0 |
| Circuit function | A and B Further information can be found in chapter "2. Circuit functions" on page 5. |
| Thermal insulation class of solenoid coil | Epoxy coil class H |
| Performance data | |
| Duty cycle | 100 % continuous operation |
| Switching time ¹⁾ | |
| Switching time AC | Opening: 10...30 ms Closing: 50...80 ms |
| Switching time DC | Opening: 20...30 ms Closing: 50...80 ms |
| Electrical data | |
| Operating voltage | 24 V/DC, 24 V/50 Hz, 24 V/60 Hz, 110 V/50 Hz, 120 V/60 Hz, 230 V/50 Hz, 240 V/60 Hz, others on request |
| Voltage tolerance | ± 10 % |
| Medium data | |
| Operating medium ²⁾ | |
| Standard | Vacuum, neutral gases and liquids (e.g. compressed air, water, hydraulic oil, petrol, DVGW 1-3 gas family) and slightly aggressive medium, hot liquids and steam |
| Oil burner version (PF15) | Heating oil (EL, L, M, S) acc. to DIN 51603 part 1...6, shipping fuels acc. to ISO 8217 Only with stainless steel body: Fatty acid methyl ester (FAME) acc. to DIN EN 14213, rapeseed oil acc. to DIN V 51605 |
| Medium temperature | |
| Standard version ³⁾ | |
| | Seat seal/external seal FKM/FKM: -10 °C...+140 °C EPDM/EPDM: -30 °C...+120 °C NBR/NBR: -10 °C...+80 °C PTFE/FKM: -10 °C...+140 °C PTFE/PEEK: -40 °C...+180 °C |
| High pressure version up to 250 bar (PN25) or 160 bar (PN16) | PEEK/FKM: -10 °C...+80 °C PEEK/EPDM: -30 °C...+80 °C PEEK/PEEK: -40 °C...+80 °C |
| Approval DIN EN 161 (PO19) | NBR/NBR: -20 °C...+80 °C FKM/FKM: 0 °C...+125 °C |
| Oil burner version (PF15) | 0 °C...160 °C |
| Viscosity | Max. 21 mm ² /sec 1.6...76 cSt (DN 2, 2 NC 1.6...22 cSt) (Oil burner version PF15) |
| Process/Port connection & communication | |
| Electrical connection | <ul style="list-style-type: none"> Plug contacts according to DIN EN 175 301 - 803 form A for cable plug Type 2518 ▶. Further information can be found in chapter "Cable plug Type 2518, form A according to DIN EN 175301 - 803" on page 30. Plug contacts according to DIN EN 175 301 - 803 form A for cable plug Type 2509 ▶. Further information can be found in chapter "Cable plug Type 2509, form A according to DIN EN 175301 - 803" on page 30. |
| Port connection | G ¼, G ⅜, G ½, G ¾, NPT ¼, NPT ⅜, NPT ½, NPT ¾ (RC on request) |

| Approvals and conformities | |
|--|---|
| DIN CERTCO registration (Oil burner version PF15) | DN 2.2 (NO) Reg. No.: 5S255 DN 3.0 (NC) Reg. No.: 5S255 DN 3.5 (NC) Reg. No.: 5S255 DN 10.0 (NC) Reg. No.: 5S255 |
| Degree of protection | IP65 with cable plug Type 2518 ▶ NEMA 4X with cable plug Type 2509 ▶ with stainless steel versions |
| Explosion protection | Further information can be found in chapter “3.4. Explosion protection” on page 6. |
| North America (USA/Canada) | Further information can be found in chapter “3.5. North America (USA/Canada)” on page 6. |
| Drinking water | Further information can be found in chapter “3.6. Drinking water” on page 6. |
| Foods and beverages/Hygiene | Further information can be found in chapter “3.7. Foods and beverages/Hygiene” on page 6. |
| Others | Further information can be found in chapter “3.8. Others” on page 7. |
| Environment and installation | |
| Installation position | As required, preferably with actuator upright |
| Ambient temperature | Max. 55 °C - 15 °C...+ 60 °C (Oil burner version PF15) |

- 1.) Measurement at +20 °C, 6 bar at the valve outlet, opening: pressure build-up 0...90 %, closing: pressure reduction 100...10 %
- 2.) Medium resistance according to material combination
- 3.) Circuit function normally open in conjunction with AC voltage is limited to max. 100 °C

2. Circuit functions

| Symbol | Description |
|--------|--|
| | Circuit function A (CF A) 2/2-way solenoid valve Direct-acting Normally closed |
| | Circuit function B (CF B) 2/2-way solenoid valve Direct-acting Normally open |

3. Approvals and conformities

3.1. General notes

- The approvals and conformities listed below must be stated when making enquiries. This is the only way to ensure that the product complies with all required specifications.
- Not all available versions can be supplied with the below mentioned approvals or conformities.

3.2. Conformity



In accordance with the Declaration of Conformity, the product is compliant with the EU Directives.

3.3. Standards




The applied standards which are used to demonstrate compliance with the EU Directives are listed in the EU-Type Examination Certificate and/or the EU Declaration of Conformity.

DTS 1000089742 EN Version: AN Status: RL (released | freigegeben | validé) printed: 15.05.2024


3.4. Explosion protection

| Approval | Description | | | | | |
|---|--|----------------|--|-------------------------|-------------------------|---|
|   | <p>Optional: Explosion protection according to category 2 (zone 1/21)</p> <p>Ex marking of the components according to the following table:</p> | | | | | |
| | <table border="1"> <thead> <tr> <th colspan="2">Coil Type AC10</th> </tr> <tr> <th>Coils with cable outlet</th> <th>Coils with terminal box</th> </tr> </thead> <tbody> <tr> <td> <p>ATEX:</p> <p>EPS 18 ATEX 1232 X II 2G Ex mb IIC T4 Gb II 2D Ex mb IIIC T130 °C Db</p> <p>IECEX:</p> <p>IECEX EPS 18.0110 X Ex mb IIC T4 Gb Ex mb IIIC T130 °C Db</p> </td> <td> <p>ATEX:</p> <p>EPS 18 ATEX 1232 X II 2G Ex eb mb IIC T4 Gb II 2D Ex mb tb IIIC T130 °C Db</p> <p>IECEX:</p> <p>IECEX EPS 18.0110 X Ex eb mb IIC T4 Gb Ex mb tb IIIC T130 °C Db</p> </td> </tr> </tbody> </table> | Coil Type AC10 | | Coils with cable outlet | Coils with terminal box | <p>ATEX:</p> <p>EPS 18 ATEX 1232 X II 2G Ex mb IIC T4 Gb II 2D Ex mb IIIC T130 °C Db</p> <p>IECEX:</p> <p>IECEX EPS 18.0110 X Ex mb IIC T4 Gb Ex mb IIIC T130 °C Db</p> |
| Coil Type AC10 | | | | | | |
| Coils with cable outlet | Coils with terminal box | | | | | |
| <p>ATEX:</p> <p>EPS 18 ATEX 1232 X II 2G Ex mb IIC T4 Gb II 2D Ex mb IIIC T130 °C Db</p> <p>IECEX:</p> <p>IECEX EPS 18.0110 X Ex mb IIC T4 Gb Ex mb IIIC T130 °C Db</p> | <p>ATEX:</p> <p>EPS 18 ATEX 1232 X II 2G Ex eb mb IIC T4 Gb II 2D Ex mb tb IIIC T130 °C Db</p> <p>IECEX:</p> <p>IECEX EPS 18.0110 X Ex eb mb IIC T4 Gb Ex mb tb IIIC T130 °C Db</p> | | | | | |

3.5. North America (USA/Canada)

| Approval | Description |
|---|---|
|  | <p>Optional: UL Listed for the USA and Canada</p> <p>The products are UL Listed for the USA and Canada according to:</p> <ul style="list-style-type: none"> • UL 429 (electrically operated valves) • CAN/CSA-C22.2 No. 139-19 |
|  | <p>Optional (valid for coils): UL Hazardous Locations – Explosion Protection</p> <p>UL Listed for Hazardous Locations for USA and Canada Class I, Zone 1 Class I, Division 2, Group A, B, C and D Class II + III, Division 2, Group F and G</p> |
|  | <p>Optional: UL Recognized for the USA and Canada</p> <p>The products are UL Recognized for the USA and Canada according to:</p> <ul style="list-style-type: none"> • UL 429 (electrically operated valves) • CAN/CSA-C22.2 No. 139-19 |

3.6. Drinking water

| Conformity | Description |
|---|--|
|  | <p>Suitable for use in drinking water applications</p> <p>The materials comply with the assessment principles (UBA) for materials in contact with drinking water (TrinkwasserV).</p> <p>Brass body/stainless steel body: PF36: Suitable for products with a maximum temperature of 60 °C (warm water)</p> |


3.7. Foods and beverages/Hygiene

| Conformity | Description |
|------------|---|
| FDA | <p>FDA – Code of Federal Regulations (valid for the variable code PL03)</p> <p>All wetted materials are compliant with the Code of Federal Regulations published by the FDA (Food and Drug Administration, USA) according to the manufacturer’s declaration.</p> |
| USP | <p>United States Pharmacopeial Convention (USP) (valid for the variable code PL04)</p> <p>All wetted materials are biocompatible according to the manufacturer’s declaration.</p> |

DTS 1000089742 EN Version: AN Status: RL (released | freigegeben | valide) printed: 15.05.2024

3.8. Others


Oxygen

| Conformity | Description |
|---|---|
|  | Optional: Suitability for oxygen (valid for the variable code NL02) The products are suitable for use with gaseous oxygen, according to the manufacturer's declaration. |



Fire protection on railway vehicles

| Approval | Description |
|--------------|--|
| DIN EN 45545 | Optional: Fire protection on railway vehicles in accordance with DIN EN 45545 applicable parts 2 and 5: requirements for fire behaviour of materials and components The products comply with the fire protection requirements in accordance with applicable parts 2 and 5 of DIN EN 45545 for use in the interior of railway vehicles for operating classes 1 -3 (OC1 -3) in conjunction with hazard levels 1 -2 (HL1 -2) in accordance with the manufacturer's declaration. |

Safety shut-off valves

| Approval | Description |
|---|--|
|  | Safety shut-off valves as a piece of equipment with safety function according to DIN EN ISO 23553-1 (valid for the variable code PF15) The automatic and semi-automatic valves are suitable for use with oil, according to the manufacturer's declaration. |

Fuel gases

| Conformity | Description |
|---|--|
|  | Fuel gases (valid for the variable code PO19) The products comply with: <ul style="list-style-type: none"> • Regulation (EU) 2016/426 – Appliances burning gaseous fuels and • DVGW DIN EN 161 (Automatic shut-off valves for gas burners and gas appliances) and • DIN EN 16678, Class A or Class D (Safety and control devices for gas burners and gas burning appliances – Automatic shut-off valves for operating pressure of above 500 kPa up to and including 6300 kPa) |
|  | Optional: DIN EN 549:2023-07 certification The wetted valve seals are compliant with DIN EN 549:2023-07 (Rubber materials for seals and diaphragms for gas appliances and gas equipment) for medium temperatures of -20 °C...+ 125 °C. |

4. Materials

4.1. Bürkert resistApp



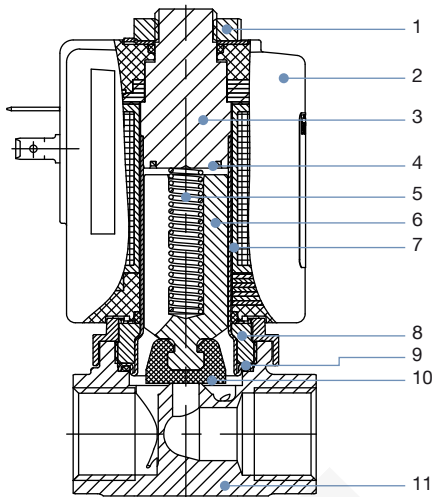
Bürkert resistApp – Chemical resistance chart

You want to ensure the reliability and durability of the materials in your individual application case? Verify your combination of media and materials on our website or in our resistApp.

[Start chemical resistance check](#)

4.2. Standard version

Elastomer seal version up to 30 bar



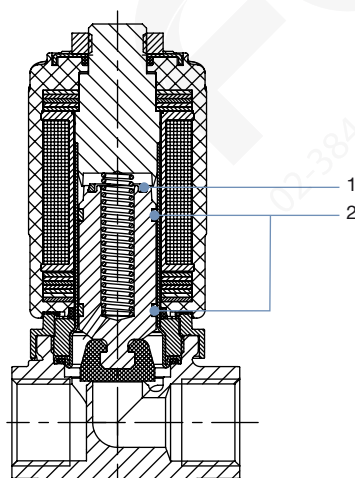
| No. | Element | Material |
|-----|--------------|--|
| 1 | Locknut | DIN 176 thick-film passivated or stainless steel |
| 2 | Coil | Epoxy |
| 3 | Stopper | Stainless steel 1.4113/434 ^{1.)} |
| 4 | Shading ring | Copper (brass body) Silver (stainless steel body) |
| 5 | Spring | Stainless steel 1.4310/301 ^{1.)} |
| 6 | Plunger | Stainless steel 1.4113/434 ^{1.)} |
| 7 | Guide tube | Stainless steel 1.4303/305/308 ^{1.)} |
| 8 | Nipple | Brass, stainless steel 1.4305/303 ^{1.)} |
| 9 | Seal | FKM, PEEK (EPDM on request) |
| 10 | Seat seal | FKM (EPDM on request) |
| 11 | Housing | Brass, stainless steel 1.4404/316L ^{1.)} (CF3M) |

1.) Material designation according to AISI

Version with increased lifespan (NF39)

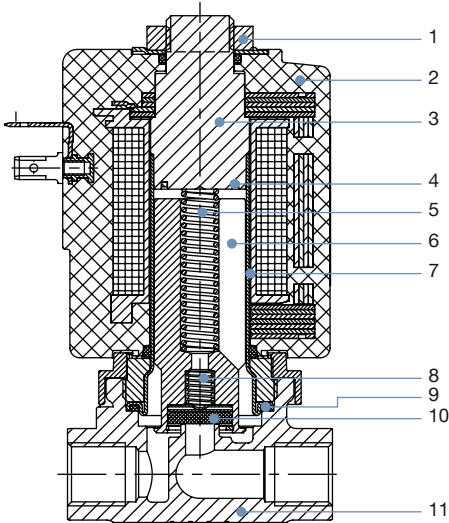
Note:

All parts are the same as standard, but with two additional parts as follows.



| No. | Element | Material |
|-----|--------------|--------------------|
| 1 | Damping ring | PEEK |
| 2 | Glider | PTFE carbon filled |

Version PTFE pendulum seal up to 100 bar



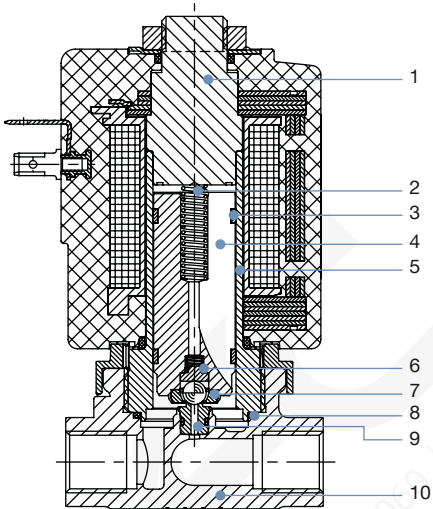
| No. | Element | Material |
|-----|--------------|--|
| 1 | Locknut | DIN 176 thick-film passivated or stainless steel |
| 2 | Coil | Epoxy |
| 3 | Stopper | Stainless steel 1.4113 ^{1.)} |
| 4 | Shading ring | Silver (stainless steel body) |
| 5 | Spring | Stainless steel 1.4310/301 ^{1.)} |
| 6 | Core | Stainless steel 1.4113/434 ^{1.)} |
| 7 | Guide tube | Stainless steel 1.4303/305/308 ^{1.)} |
| 8 | Spring | Stainless steel 1.4310/301 ^{1.)} |
| 9 | Seat | FKM, PEEK (EPDM on request) |
| 10 | Seat seal | PTFE pendulum seal |
| 11 | Housing | Brass, stainless steel 1.4404/316L ^{1.)} (CF3M) |

1.) Material designation according to AISI

4.3. High pressure version up to 250 bar (PN25) or 160 bar (PN16)

Note:

High pressure version from 135 bar, circuit function A



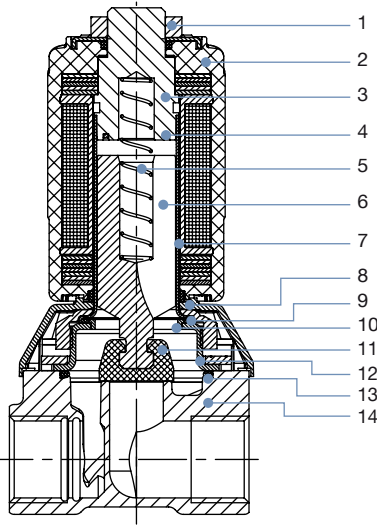
| No. | Element | Material |
|-----|---------------------|--|
| 1 | Stopper | Stainless steel 1.4523/316 ^{1.)} |
| 2 | Compression springs | Stainless steel 1.4310/301 ^{1.)} |
| 3 | Glider | PTFE |
| 4 | Plunger | Stainless steel 1.4113/434 ^{1.)} |
| 5 | Armature guide tube | Stainless steel 1.4571/316 Ti ^{1.)} |
| 6 | Ball seat | Stainless steel 1.4305/303 ^{1.)} |
| 7 | Seat seal | Ceramic ball |
| 8 | O-rings | FKM |
| 9 | Seat | PEEK |
| 10 | Housing | Stainless steel 1.4404/316L ^{1.)} (CF3M) only in 1/4" G and NPT |

1.) Material designation according to AISI

DTS 1000089742 EN Version: AN Status: RL (released | freigegeben | validé) printed: 15.05.2024

4.4. Version DN 13

Version DN 13 standard



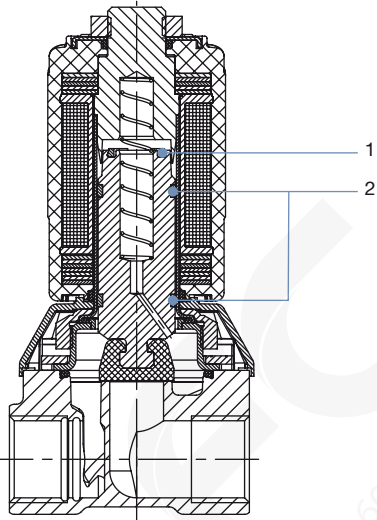
| No. | Element | Material |
|-----|--------------|---|
| 1 | Locknut | DIN 176 thick-film passivated or stainless steel |
| 2 | Coil | Epoxy |
| 3 | Stopper | Stainless steel 1.4113/434 ^{1.)} |
| 4 | Shading ring | Copper (brass body) Silver (stainless steel body) |
| 5 | Spring | Stainless steel 1.4310/301 ^{1.)} |
| 6 | Core | Stainless steel 1.4113/434 ^{1.)} |
| 7 | Guide tube | Stainless steel 1.4303/305 ^{1.)} /308 ^{1.)} |
| 8 | Hood | PA6 |
| 9 | Seal | FKM, EPDM |
| 10 | Support ring | PPS Fortron |
| 11 | Core seal | FKM, EPDM, NBR |
| 12 | Cover | DN 10...DN 25 stainless steel 1.4301/304 ^{1.)} |
| 13 | Seal | FKM, EPDM |
| 14 | Housing | Brass, stainless steel 1.4408/316 ^{1.)} |

1.) Material designation according to AISI

Version DN 13 with increased lifespan (NF39)

Note:

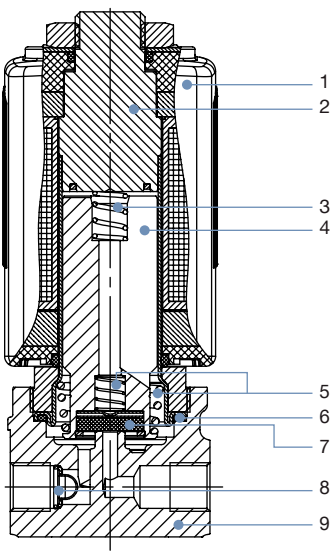
All parts are the same as standard, but with two additional parts as follows.



| No. | Element | Material |
|-----|--------------|--------------------|
| 1 | Damping ring | PEEK |
| 2 | Glider | PTFE carbon filled |

DTS 1000089742 EN Version: AN Status: RL (released | freigegeben | validé) printed: 15.05.2024

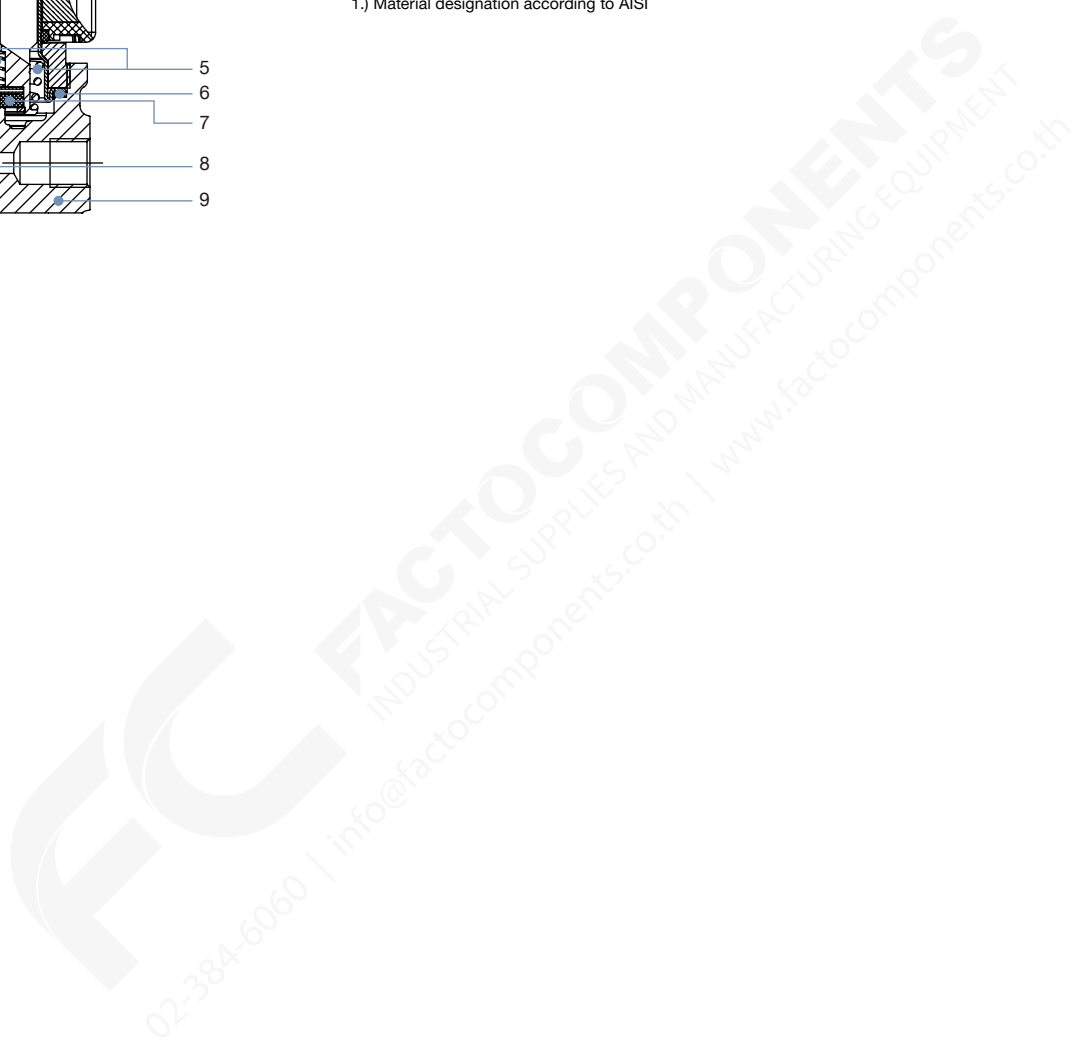
4.5. Oil burner version (PF15)



| No. | Element | Material |
|-----|------------|--|
| 1 | Coil | Epoxy |
| 2 | Stopper | Stainless steel 1.4113/434 ^{1.)} |
| 3 | Spring | Stainless steel 1.4310/301 ^{1.)} |
| 4 | Plunger | Stainless steel 1.4105/430F ^{1.)} |
| 5 | Spring | Stainless steel 1.4310/301 ^{1.)} |
| 6 | Seal ring | FKM |
| 7 | Seat seal | PTFE |
| 8 | Strainer | Stainless steel only DN 3 and DN 3.5 |
| 9 | Valve body | Brass |

1.) Material designation according to AISI

DTS 1000089742 EN Version: AN Status: RL (released | freigegeben | validé) printed: 15.05.2024



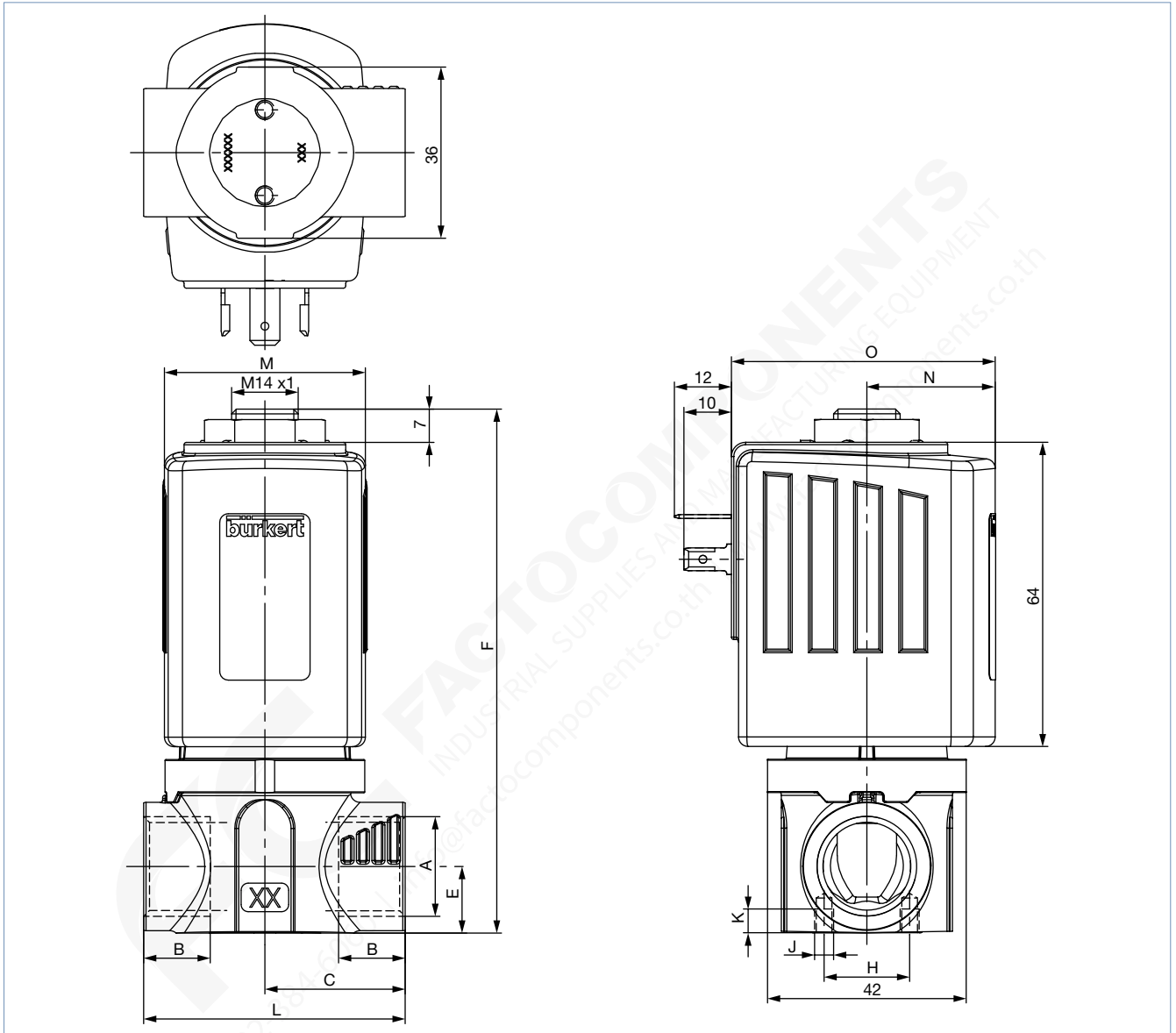
5. Dimensions

5.1. Standard version

Threaded version

Note:

Dimensions in mm



| Version | A | B | C | E | F | H | J | K | L |
|----------|---------|------|------|------|------|------|------|------|------|
| | | [mm] | [mm] | [mm] | [mm] | [mm] | [mm] | [mm] | [mm] |
| Standard | Rc 1/2 | 13.2 | 29.5 | 14 | 110 | 18 | M4 | 5 | 55 |
| | NPT 1/2 | 13.7 | | | | | | | |
| | G 1/2 | 14 | | | | | | | |
| | Rc 3/8 | 10.1 | 27.5 | 12 | 108 | 18 | M4 | 5 | 55 |
| | NPT 3/8 | 10.3 | | | | | | | |
| | G 3/8 | 12 | | | | | | | |
| | Rc 1/4 | 9.7 | 27.5 | 10 | 105 | 18 | M4 | 5 | 55 |
| | NPT 1/4 | 10 | | | | | | | |
| | G 1/4 | 12 | | | | | | | |

DTS 1000089742 EN Version: AN Status: RL (released | freigegeben | validé) printed: 15.05.2024

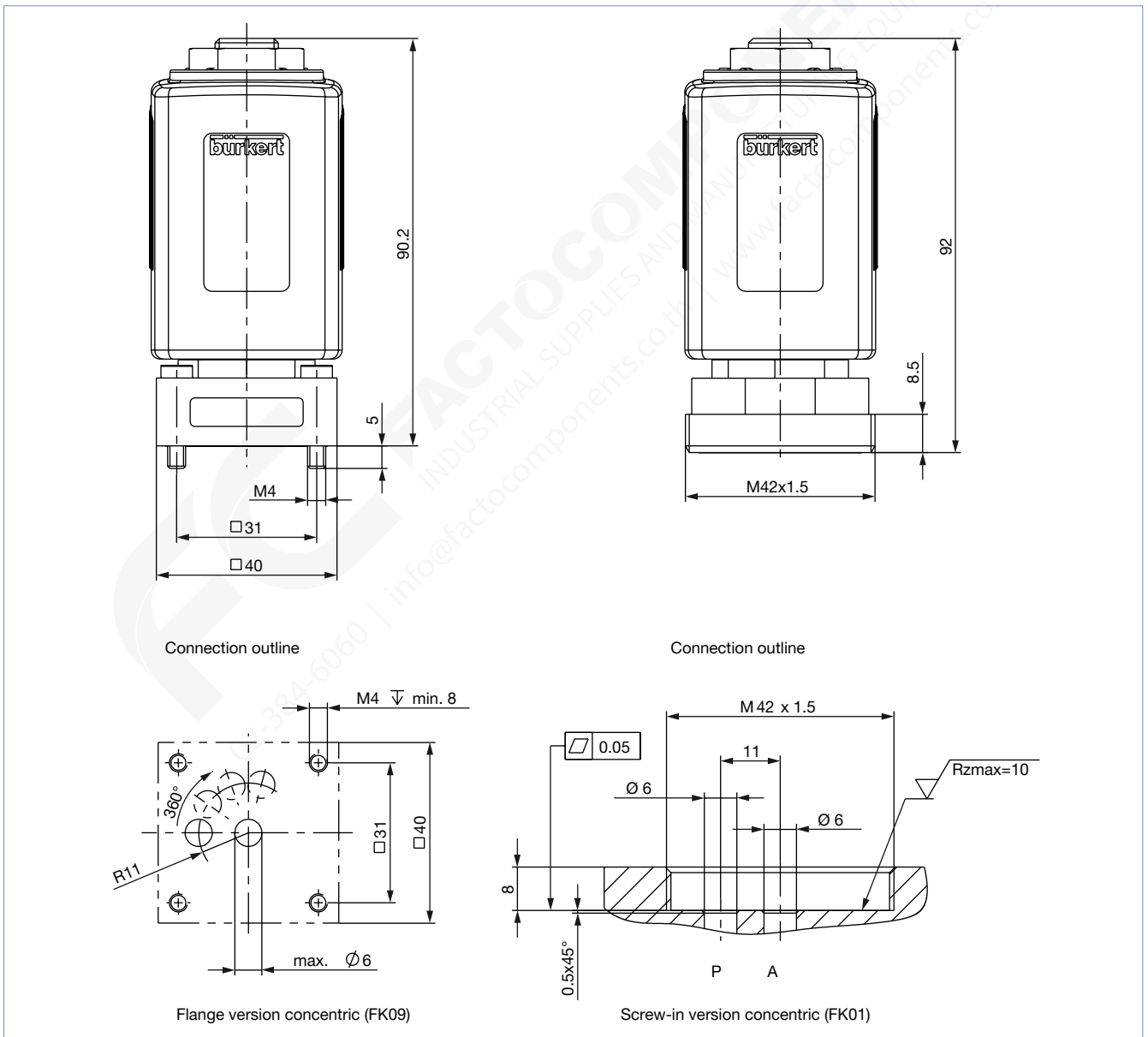
| Version | A | B | C | E | F | H | J | K | L |
|---------|-------|------|------|------|------|------|----|------|------|
| | | [mm] | [mm] | [mm] | [mm] | [mm] | | [mm] | [mm] |
| AG39 | G 1/2 | 14.5 | 37.5 | 14 | 110 | - | - | - | 75 |
| | G 3/8 | 12 | 37.5 | 14 | 110 | - | - | - | 75 |
| AG48 | G 1/4 | 12 | 20 | 10 | 105 | 15 | M5 | 7 | 40 |
| | G 1/8 | 8 | 20 | 10 | 105 | 15 | M5 | 7 | 40 |

| Coil size | M | N | O |
|-----------|------|------|------|
| | [mm] | [mm] | [mm] |
| L | 65 | 37.5 | 72 |
| K | 42 | 27 | 55.5 |

Flange and screw-in version

Note:

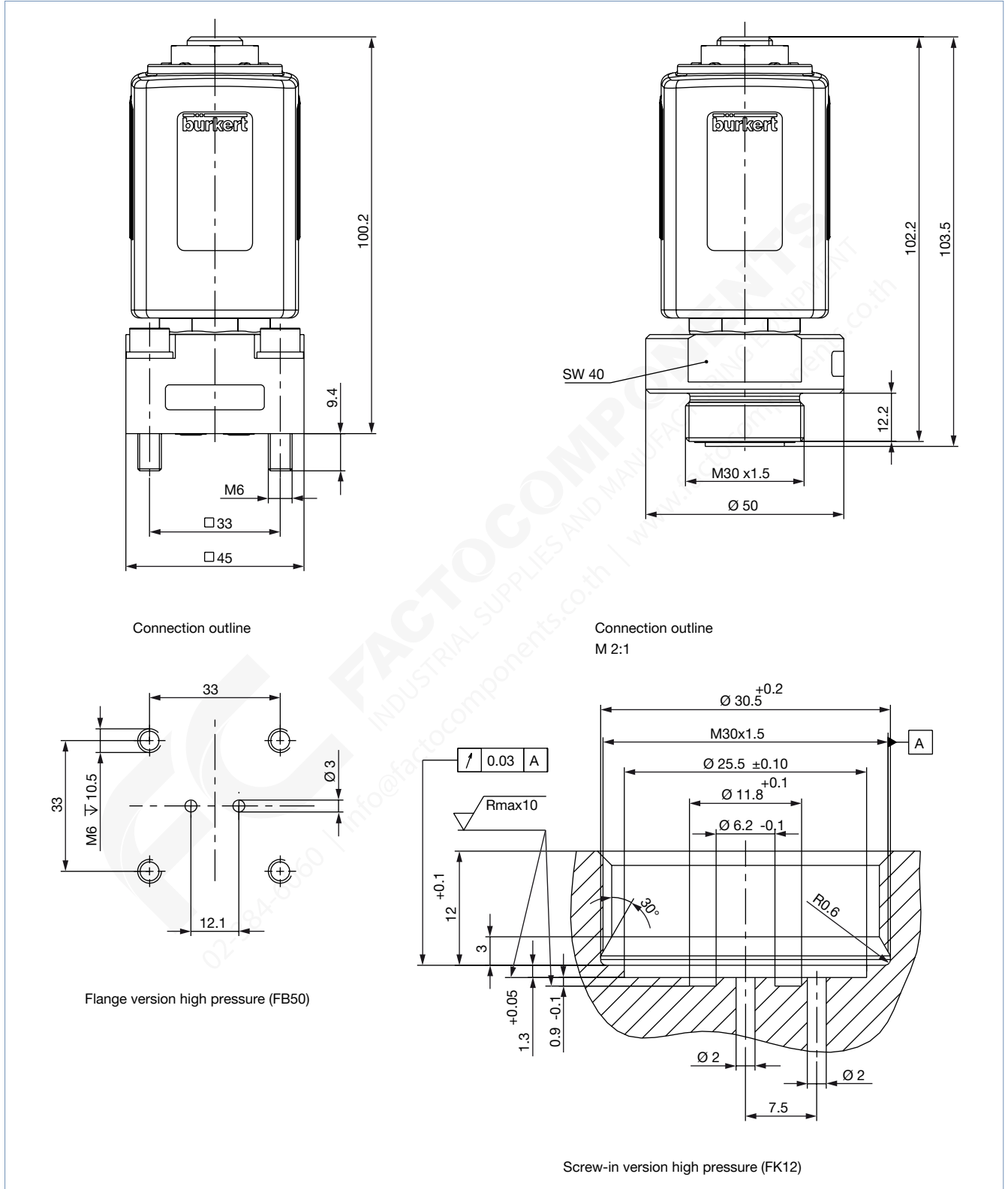
Dimensions in mm



DTS 1000089742 EN Version: AN Status: RL (released | freigegeben | valide) printed: 15.05.2024

Flange and screw-in version high pressure up to 250 bar (PN25) or 160 bar (PN16)

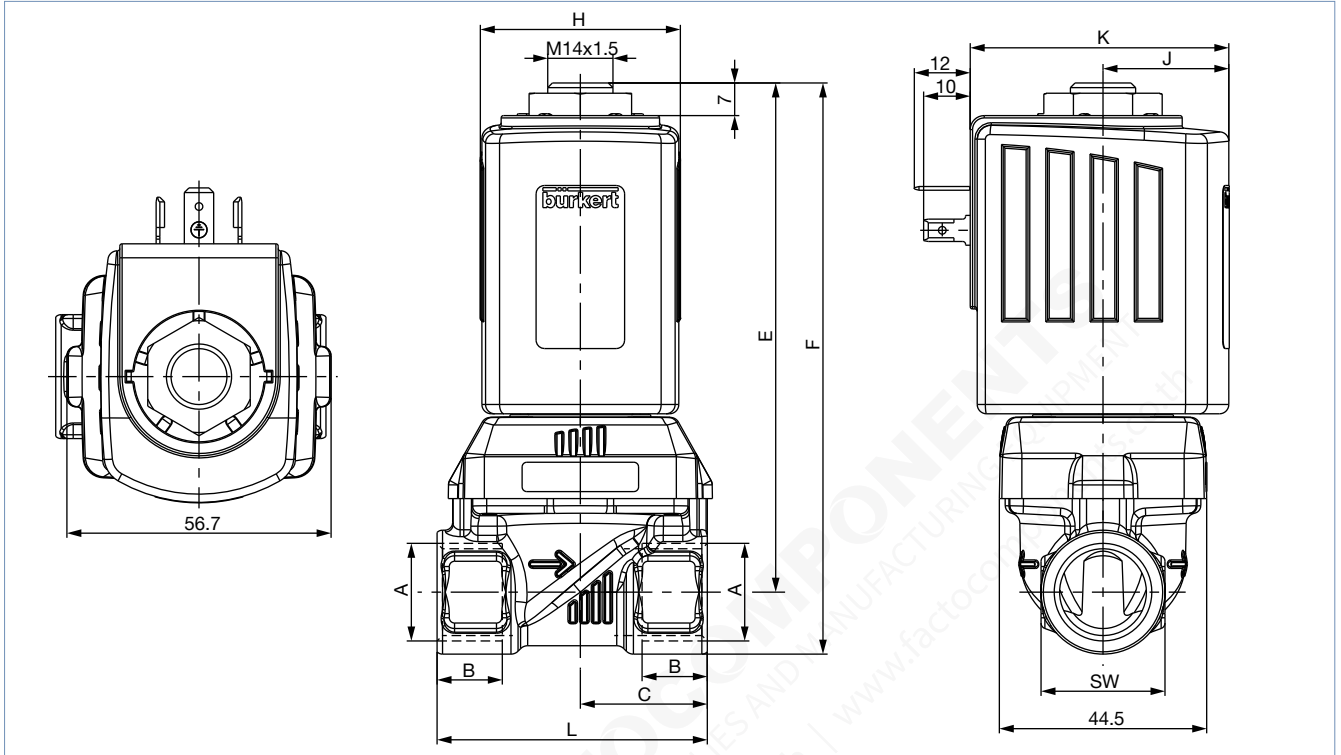
Note:
Dimensions in mm



DTS 1000089742 EN Version: AN Status: RL (released | freigegeben | validé) printed: 15.05.2024

5.2. Version DN 13

Note:
Dimensions in mm



| Body material | A | B | C | E | F | L | SW |
|-------------------------|---------|------|-------|-------|-------|------|------|
| | | [mm] | [mm] | [mm] | [mm] | [mm] | [mm] |
| Brass / Stainless steel | Rc 3/4 | 14.5 | 32.5 | 111.3 | 127.3 | 65 | 32 |
| | NPT 3/4 | 14 | | | | | |
| | G 3/4 | 16 | | | | | |
| Stainless steel | Rc 1/2 | 13.2 | 32.5 | 109.3 | 122.6 | 65 | 27 |
| | NPT 1/2 | 13.7 | | | | | |
| | G 1/2 | 14 | | | | | |
| Brass | Rc 1/2 | 13.2 | 27.25 | 109.3 | 122.6 | 58 | 27 |
| | NPT 1/2 | 13.7 | | | | | |
| | G 1/2 | 14 | | | | | |

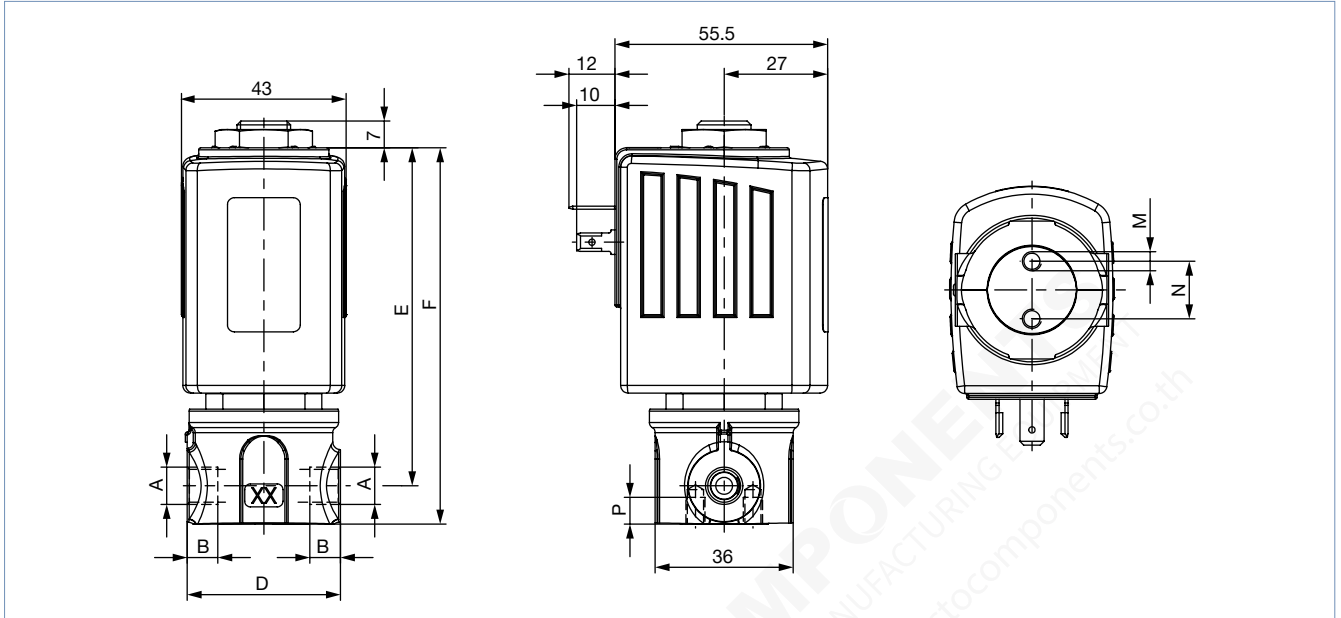
| Coil size | H | J | K |
|-----------|------|------|------|
| | [mm] | [mm] | [mm] |
| L | 65 | 37.5 | 72 |
| K | 42 | 27 | 55.5 |

DTS 1000089742 EN Version: AN Status: RL (released | freigegeben | valide) printed: 15.05.2024

5.3. Oil burner version (PF15)

Note:

Dimensions in mm



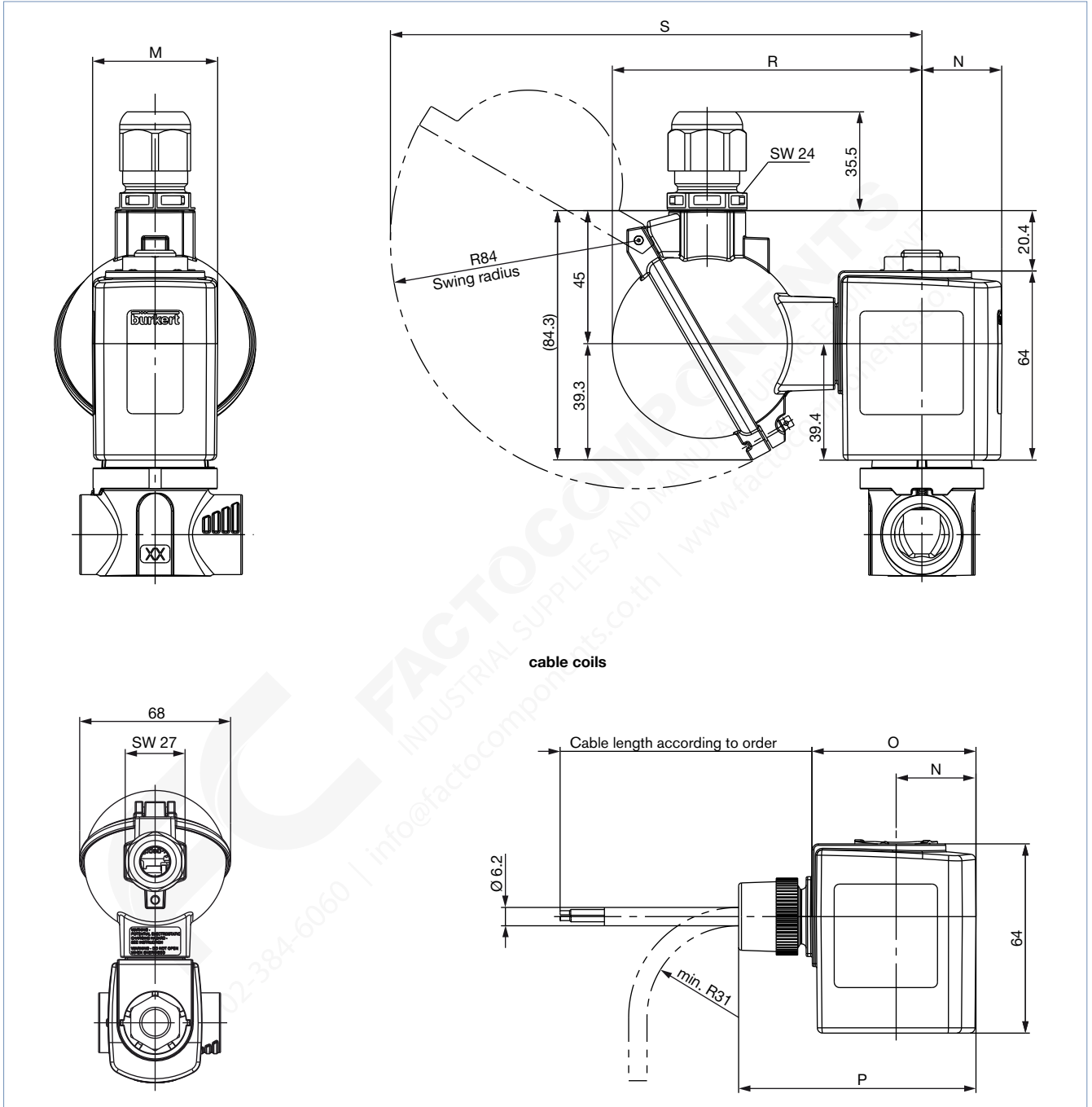
| DN | Function | A | B [mm] | D [mm] | E [mm] | F [mm] | M | N [mm] | P [mm] | SW [mm] |
|-----|----------|-------|-----------|-----------|-----------|-----------|----|-----------|-----------|------------|
| 2.2 | NO | G 1/8 | 8 | 40 | 88.2 | 98.2 | M5 | 15 | 7 | - |
| | NO | G 1/4 | 12 | | | | | | | |
| 3 | NC | G 1/8 | 8 | 40 | 88.2 | 98.2 | M5 | 15 | 7 | - |
| 3.5 | NC | G 1/4 | 12 | 40 | 88.2 | 98.2 | M5 | 15 | 7 | - |
| 10 | NC | G 3/8 | 12 | 75 | 89.2 | 103.2 | - | - | - | 27 |
| | NC | G 1/2 | 14.5 | | | | | | | |

DTS 1000089742 EN Version: AN Status: RL (released | freigegeben | validé) printed: 15.05.2024

5.4. UL Listed coil for hazardous locations, Class I, Division 2

Note:

- Dimensions in mm
- The dimensions only apply to the Ex version of the solenoid coil. See the versions listed above for all other dimensions.



| Coil size | M [mm] | N [mm] | O [mm] | P [mm] | R [mm] | S [mm] |
|-----------|-----------|-----------|-----------|-----------|-----------|-----------|
| L | 65 | 37.5 | 72 | 97 | 110.8 | 185.8 |
| K | 42 | 27 | 55.5 | 80.3 | 104.8 | 179.8 |

DTS 1000089742 EN Version: AN Status: RL (released | freigegeben | validé) printed: 15.05.2024

6. Performance specifications

6.1. Power consumption

| Coil size | AC | | | DC | | Kick and Drop coil AC/DC ^{1.)} | | |
|-------------|--------------|---------------|-----|------------------|------------------|---|--------------------------------|--------------------------------|
| | Inrush power | Holding power | | Cold performance | Warm performance | Cold performance inrush power | Cold performance holding power | Warm performance holding power |
| [mm] | [VA] | [VA] | [W] | [W] | [W] | [W] 500 ms | [W] | [W] |
| 42 (K) | 150 | 37 | 16 | 21 | 16 | 85 | 8.5 | 7 |
| 42 (K) ATEX | – | – | – | 15 | 12 | 44 | 6.5 | 5.5 |
| 65 (L) | – | – | – | 28 | 21 | – | – | – |


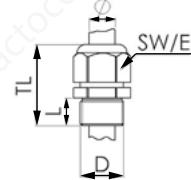

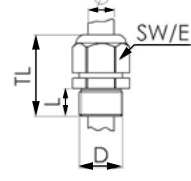
1.) Kick and Drop coil: Integrated electronics for short-term power increase and reduction in dual coil technology

7. Product accessories

7.1. Cable glands for ATEX/IECEX terminal box

Note:

A polyamide cable gland is included in the scope of delivery. A nickel-plated brass version can be ordered for a surcharge, see [“Cable glands for ATEX/IECEX terminal box” on page 31.](#)

| Description | Ex approvals | | Dimensions | | | | | | | | | | |
|--|---|--|--|----|------------|---|-------|---|-------|----|-------|---|-------|
| | Certification | Identification | | | | | | | | | | | |
| Ex cable gland, Nickel-plated brass, 6...13 mm  | PTB 04 ATEX 1112 X, IECEx PTB 13.0027X | II 2 G Ex e IIC Gb, II 2 D Ex tb IIIC Db IP68 |  <table border="1"> <tr><td>TL</td><td>29...37 mm</td></tr> <tr><td>L</td><td>6 mm</td></tr> <tr><td>D</td><td>20 mm</td></tr> <tr><td>SW</td><td>24 mm</td></tr> <tr><td>E</td><td>27 mm</td></tr> </table> | TL | 29...37 mm | L | 6 mm | D | 20 mm | SW | 24 mm | E | 27 mm |
| TL | 29...37 mm | | | | | | | | | | | | |
| L | 6 mm | | | | | | | | | | | | |
| D | 20 mm | | | | | | | | | | | | |
| SW | 24 mm | | | | | | | | | | | | |
| E | 27 mm | | | | | | | | | | | | |
| Ex cable gland, Polyamide, 7...13 mm  | PTB 13 ATEX 1015 X, IECEx PTB 13.0034X | II 2 G Ex e IIC Gb, II 2 D Ex tb IIIC Db IP68 |  <table border="1"> <tr><td>TL</td><td>36...45 mm</td></tr> <tr><td>L</td><td>10 mm</td></tr> <tr><td>D</td><td>20 mm</td></tr> <tr><td>SW</td><td>24 mm</td></tr> <tr><td>E</td><td>28 mm</td></tr> </table> | TL | 36...45 mm | L | 10 mm | D | 20 mm | SW | 24 mm | E | 28 mm |
| TL | 36...45 mm | | | | | | | | | | | | |
| L | 10 mm | | | | | | | | | | | | |
| D | 20 mm | | | | | | | | | | | | |
| SW | 24 mm | | | | | | | | | | | | |
| E | 28 mm | | | | | | | | | | | | |

7.2. Special tool to turn the terminal box

Note:

This special tool is not included in the scope of delivery of the valve, see [“Cable glands for ATEX/IECEX terminal box” on page 31.](#)

| Description | Components of the set |
|--|--|
| Set SC02-AC10  | <ul style="list-style-type: none"> • Special wrench • Service manual |

DTS 1000089742 EN Version: AN Status: RL (released | freigegeben | valide) printed: 15.05.2024

8. Ordering information

8.1. Bürkert eShop



Bürkert eShop – Easy ordering and quick delivery

You want to find your desired Bürkert product or spare part quickly and order directly? Our online shop is available for you 24/7. Sign up and enjoy all the benefits.

[Order online now](#)

8.2. Bürkert product filter



Bürkert product filter – Get quickly to the right product

You want to select products comfortably based on your technical requirements? Use the Bürkert product filter and find suitable articles for your application quickly and easily.

[Try out our product filter](#)

8.3. Bürkert Product Enquiry Form



Bürkert Product Enquiry Form – Your enquiry quickly and compactly

Would you like to make a specific product enquiry based on your technical requirements? Use our Product Enquiry Form for this purpose. There you will find all the relevant information for your Bürkert contact. This will enable us to provide you with the best possible advice.

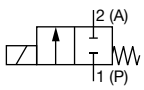
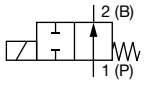
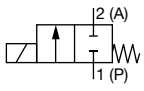
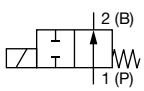
[Fill out the form now](#)

DTS 1000089742 EN Version: AN Status: RL (released | freigegeben | validé) printed: 15.05.2024

8.4. Ordering chart standard version elastomer seal up to 30 bar

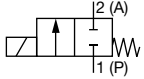
Note:

Further variants with alternative voltages, NPT or RC inner thread, as flange or screw-in version, seal material EPDM/EPDM are available on request.

| Circuit function | Port connection | Orifice [mm] | K _v value water [m³/h] | Pressure range | | | | | | Article no. | | | |
|--|--|-----------------|---|----------------|--------|---------|--------|---------|----------|-------------|------------|------------|------------|
| | | | | Water | | Oil | | Air | | 024/DC | 024/50 | 230/50 | |
| | | | | DC | AC | DC | AC | DC | AC | [V/Hz] | [V/Hz] | [V/Hz] | |
| | | | | [bar] | [bar] | [bar] | [bar] | [bar] | [bar] | | | | |
| Housing material brass, G-inner thread, seal material FKM/FKM | | | | | | | | | | | | | |
| CF A 2/2-way solenoid valve Direct-acting Normally closed  | G ¼ | 3.0 | 0.28 | 0...30 | 0...25 | 0...30 | 0...25 | 0...30 | 0...30 | 178295 ₺ | 178296 ₺ | 178297 ₺ | |
| | | 4.0 | 0.54 | 0...16 | 0...16 | 0...16 | 0...16 | 0...25 | 0...16 | 178299 ₺ | 178300 ₺ | 178301 ₺ | |
| | | 5.0 | 0.73 | 0...8 | 0...10 | 0...6 | 0...10 | 0...8 | 0...10 | 178303 ₺ | 178304 ₺ | 178305 ₺ | |
| | | 6.0 | 0.95 | 0...4 | 0...6 | 0...3 | 0...6 | 0...4 | 0...6 | 178307 ₺ | 178308 ₺ | 178309 ₺ | |
| | G ⅜ | 3.0 | 0.28 | 0...30 | 0...25 | 0...30 | 0...25 | 0...30 | 0...30 | 178311 ₺ | 178312 ₺ | 178313 ₺ | |
| | | 4.0 | 0.54 | 0...16 | 0...16 | 0...16 | 0...16 | 0...25 | 0...16 | 178315 ₺ | 178316 ₺ | 178317 ₺ | |
| | | 5.0 | 0.73 | 0...8 | 0...10 | 0...6 | 0...10 | 0...8 | 0...10 | 178319 ₺ | 178320 ₺ | 178321 ₺ | |
| | | 6.0 | 0.95 | 0...4 | 0...6 | 0...3 | 0...6 | 0...4 | 0...6 | 178323 ₺ | 178324 ₺ | 178325 ₺ | |
| | | 8.0 | 1.6 | 0...2 | 0...3 | 0...2 | 0...3 | 0...2 | 0...3.5 | 386836 ₺ | 178328 ₺ | 178329 ₺ | |
| | G ½ | 6.0 | 0.95 | 0...4 | 0...6 | 0...3 | 0...6 | 0...4 | 0...6 | 178331 ₺ | 178332 ₺ | 178333 ₺ | |
| | | 8.0 | 1.6 | 0...2 | 0...3 | 0...2 | 0...3 | 0...2 | 0...3.5 | 386839 ₺ | 178336 ₺ | 178337 ₺ | |
| | | 10.0 | 1.8 | 0...1.5 | 0...2 | 0...1.5 | 0...2 | 0...1.5 | 0...2 | 261254 ₺ | 178340 ₺ | 178341 ₺ | |
| | CF B 2/2-way solenoid valve Direct-acting Normally open  | G ¼ | 3.0 | 0.28 | 0...13 | 0...13 | 0...13 | 0...13 | 0...16 | 0...16 | 20011134 ₺ | o. r. | 20011136 ₺ |
| | | | 4.0 | 0.54 | 0...10 | 0...10 | 0...10 | 0...10 | 0...10 | 0...10 | 20011146 ₺ | o. r. | 20011147 ₺ |
| | | | 6.0 | 0.95 | 0...6 | 0...6 | 0...6 | 0...6 | 0...6 | 0...6 | 20011180 ₺ | o. r. | 20011181 ₺ |
| G ⅜ | | 6.0 | 0.95 | 0...6 | 0...6 | 0...6 | 0...6 | 0...6 | 0...6 | 20011183 ₺ | 20011182 ₺ | 20011184 ₺ | |
| | | 8.0 | 1.6 | 0...3 | 0...3 | 0...3 | 0...3 | 0...3 | 0...3 | 228500 ₺ | 228501 ₺ | 228502 ₺ | |
| G ½ | | 8.0 | 1.6 | 0...3 | 0...3 | 0...3 | 0...3 | 0...3 | 0...3 | 211916 ₺ | 228503 ₺ | 228504 ₺ | |
| | | 10.0 | 1.8 | 0...2 | 0...2 | 0...2 | 0...2 | 0...2 | 0...2 | 210436 ₺ | 219530 ₺ | 210438 ₺ | |
| Housing material stainless steel, G-inner thread, seal material FKM/FKM | | | | | | | | | | | | | |
| CF A 2/2-way solenoid valve Direct-acting Normally closed  | | G ¼ | 3.0 | 0.28 | 0...30 | 0...25 | 0...30 | 0...25 | 0...30 | 0...30 | 178239 ₺ | 178240 ₺ | 178241 ₺ |
| | | | 4.0 | 0.54 | 0...16 | 0...16 | 0...16 | 0...16 | 0...25 | 0...16 | 178243 ₺ | 178244 ₺ | 178245 ₺ |
| | 5.0 | | 0.73 | 0...8 | 0...10 | 0...6 | 0...10 | 0...8 | 0...10 | 178247 ₺ | 178248 ₺ | 178249 ₺ | |
| | 6.0 | | 0.95 | 0...4 | 0...6 | 0...3 | 0...6 | 0...4 | 0...6 | 178251 ₺ | 178252 ₺ | 178253 ₺ | |
| | G ⅜ | 3.0 | 0.28 | 0...30 | 0...25 | 0...30 | 0...25 | 0...30 | 0...30 | 178255 ₺ | 178256 ₺ | 178257 ₺ | |
| | | 4.0 | 0.54 | 0...16 | 0...16 | 0...16 | 0...16 | 0...25 | 0...16 | 178259 ₺ | 178260 ₺ | 178261 ₺ | |
| | | 5.0 | 0.73 | 0...8 | 0...10 | 0...6 | 0...10 | 0...8 | 0...10 | 178263 ₺ | 178264 ₺ | 178265 ₺ | |
| | | 6.0 | 0.95 | 0...4 | 0...6 | 0...3 | 0...6 | 0...4 | 0...6 | 178267 ₺ | 178268 ₺ | 178269 ₺ | |
| | | 8.0 | 1.6 | 0...2 | 0...3 | 0...2 | 0...3 | 0...2 | 0...3.5 | 386840 ₺ | 178272 ₺ | 178273 ₺ | |
| | G ½ | 6.0 | 0.95 | 0...4 | 0...6 | 0...3 | 0...6 | 0...4 | 0...6 | 178275 ₺ | 178276 ₺ | 178277 ₺ | |
| | | 8.0 | 1.6 | 0...2 | 0...3 | 0...2 | 0...3 | 0...2 | 0...3.5 | 298596 ₺ | 178280 ₺ | 178281 ₺ | |
| | | 10.0 | 1.8 | 0...1.5 | 0...2 | 0...1.5 | 0...2 | 0...1.5 | 0...2 | 386841 ₺ | 178284 ₺ | 178285 ₺ | |
| | CF B 2/2-way solenoid valve Direct-acting Normally open  | G ¼ | 3.0 | 0.28 | 0...13 | 0...13 | 0...13 | 0...13 | 0...16 | 0...16 | 20011137 ₺ | o. r. | 20011139 ₺ |
| | | | 4.0 | 0.54 | 0...10 | 0...10 | 0...10 | 0...10 | 0...10 | 0...10 | 20011151 ₺ | o. r. | o. r. |
| | | | 6.0 | 0.95 | 0...6 | 0...6 | 0...6 | 0...6 | 0...6 | 0...6 | 20011189 ₺ | o. r. | o. r. |
| G ⅜ | | 6.0 | 0.95 | 0...6 | 0...6 | 0...6 | 0...6 | 0...6 | 0...6 | 20011192 ₺ | 20011191 ₺ | 20011193 ₺ | |
| | | 8.0 | 1.6 | 0...3 | 0...3 | 0...3 | 0...3 | 0...3 | 0...3 | 230258 ₺ | 230259 ₺ | 230260 ₺ | |
| G ½ | | 8.0 | 1.6 | 0...3 | 0...3 | 0...3 | 0...3 | 0...3 | 0...3 | 230261 ₺ | 230262 ₺ | 230263 ₺ | |
| | | 10.0 | 1.8 | 0...2 | 0...2 | 0...2 | 0...2 | 0...2 | 0...2 | 225248 ₺ | 230264 ₺ | 230265 ₺ | |
| 12.0 | | 2 | 0...1 | 0...1 | 0...1 | 0...1 | 0...1 | 0...1 | 210441 ₺ | 230266 ₺ | 210321 ₺ | | |

o. r. = on request

DTS 1000089742 EN Version: AN Status: RL (released | freigegeben | valide) printed: 15.05.2024

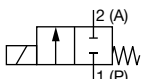
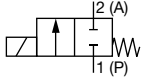
| Circuit function | Port connection | Orifice [mm] | K _v value water [m³/h] | Medium pressure Kick and Drop coil 44/6.5 W [bar] | Article no. Kick and Drop coil 44/6.5 W | | Medium pressure Kick and Drop coil 85/8.5 W [bar] | Article no. Kick and Drop coil 85/8.5 W | |
|---|-----------------|-----------------|---|--|---|--------|--|---|--------|
| | | | | | 024 / AC/DC | 230/AC | | 024 / AC/DC | 230/AC |
| | | | | | [V/Hz] | [V/Hz] | | [V/Hz] | [V/Hz] |
| Housing material stainless steel, G-inner thread, seal material FKM/FKM | | | | | | | | | |
| CF A 2/2-way solenoid valve Direct-acting Normally closed  | G ¼ | 4.0 | 0.54 | 0...30 | 386726 | 386732 | 0...30 | - | - |
| | | 5.0 | 0.73 | 0...10 | 386727 | 386733 | 0...25 | 386739 | 386745 |
| | | 6.0 | 0.95 | 0...6 | 386728 | 386734 | 0...14 | 386740 | 386746 |
| | G ½ | 8.0 | 1.6 | 0...3 | 386729 | 386735 | 0...6 | 386741 | 386747 |
| | | 10.0 | 1.8 | 0...2 | 386730 | 386736 | 0...3.5 | 386742 | 386748 |
| | | 12.0 | 2 | 0...1.2 | 386731 | 386737 | 0...2 | 386743 | 386749 |

- = not available

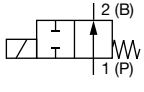
8.5. Ordering chart standard version pendulum seal up to 100 bar

Note:

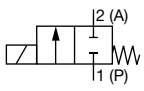
Further variants with alternative voltages, NPT or RC inner thread, as flange or screw-in version, seal material PTFE/FKM or PTFE/EPDM are available on request.

| Circuit function | Port connection | Orifice [mm] | K _v value water [m³/h] | Pressure range | | | | | | Article no. | | |
|---|-----------------|-----------------|---|----------------|---------|---------|---------|---------|---------|-------------|--------|--------|
| | | | | Water | | Oil | | Air | | 024/DC | 024/50 | 230/50 |
| | | | | DC | AC | DC | AC | DC | AC | [V/Hz] | [V/Hz] | [V/Hz] |
| Housing material brass, G-inner thread, seal material PTFE/PEEK | | | | | | | | | | | | |
| CF A 2/2-way solenoid valve Direct-acting Normally closed  | G ¼ | 2.0 | 0.14 | 0...100 | 0...100 | 0...100 | 0...75 | 0...100 | 0...100 | o. r. | o. r. | o. r. |
| | | 3.0 | 0.28 | 0...40 | 0...50 | 0...40 | 0...50 | 0...40 | 0...50 | 262435 | o. r. | 338571 |
| | | 4.0 | 0.54 | 0...20 | 0...30 | 0...20 | 0...30 | 0...20 | 0...30 | 206367 | o. r. | 319934 |
| | | 6.0 | 0.95 | 0...5 | 0...12 | 0...5 | 0...12 | 0...5 | 0...16 | 257403 | o. r. | o. r. |
| | G ⅜ | 4.0 | 0.54 | 0...20 | 0...30 | 0...20 | 0...30 | 0...20 | 0...30 | 263995 | 331984 | 317310 |
| | | 6.0 | 0.95 | 0...5 | 0...12 | 0...5 | 0...12 | 0...5 | 0...16 | 187966 | o. r. | 208842 |
| | | 8.0 | 1.6 | 0...2 | 0...5 | 0...2 | 0...5 | 0...2 | 0...5 | 386842 | o. r. | 362254 |
| | | 10.0 | 1.8 | 0...1.2 | 0...2 | 0...1.2 | 0...2 | 0...1.2 | 0...3 | 298916 | o. r. | 362210 |
| | G ½ | 6.0 | 0.95 | 0...5 | 0...12 | 0...5 | 0...12 | 0...5 | 0...16 | 260425 | o. r. | o. r. |
| | | 8.0 | 1.6 | 0...2 | 0...5 | 0...2 | 0...5 | 0...2 | 0...5 | 386843 | o. r. | o. r. |
| | | 10.0 | 1.8 | 0...1.2 | 0...2 | 0...1.2 | 0...2 | 0...1.2 | 0...3 | 298916 | o. r. | 362210 |
| | | 12.0 | 2 | 0...0.8 | 0...1.2 | 0...0.8 | 0...1.2 | 0...0.8 | 0...2 | 242932 | 227982 | 184705 |
| Housing material stainless steel, G-inner thread, seal material PTFE/PEEK | | | | | | | | | | | | |
| CF A 2/2-way solenoid valve Direct-acting Normally closed  | G ¼ | 2.0 | 0.14 | 0...100 | 0...100 | 0...100 | 0...75 | 0...100 | 0...100 | 184689 | 271441 | 184690 |
| | | 3.0 | 0.28 | 0...40 | 0...50 | 0...40 | 0...50 | 0...40 | 0...50 | 247937 | o. r. | o. r. |
| | | 4.0 | 0.54 | 0...20 | 0...30 | 0...20 | 0...30 | 0...20 | 0...30 | 184692 | 230667 | 184693 |
| | | 6.0 | 0.95 | 0...5 | 0...12 | 0...5 | 0...12 | 0...5 | 0...16 | 300077 | o. r. | 304305 |
| | G ⅜ | 4.0 | 0.54 | 0...20 | 0...30 | 0...20 | 0...30 | 0...20 | 0...30 | 292674 | o. r. | o. r. |
| | | 6.0 | 0.95 | 0...5 | 0...12 | 0...5 | 0...12 | 0...5 | 0...16 | 184695 | 202757 | 184696 |
| | | 8.0 | 1.6 | 0...2 | 0...5 | 0...2 | 0...5 | 0...2 | 0...5 | 386853 | o. r. | 184699 |
| | | 10.0 | 1.8 | 0...1.2 | 0...2 | 0...1.2 | 0...2 | 0...1.2 | 0...3 | 386845 | o. r. | 184702 |
| | G ½ | 6.0 | 0.95 | 0...5 | 0...12 | 0...5 | 0...12 | 0...5 | 0...16 | 259348 | o. r. | 280481 |
| | | 8.0 | 1.6 | 0...2 | 0...5 | 0...2 | 0...5 | 0...2 | 0...5 | 386854 | o. r. | o. r. |
| | | 10.0 | 1.8 | 0...1.2 | 0...2 | 0...1.2 | 0...2 | 0...1.2 | 0...3 | 386845 | o. r. | 184702 |
| | | 12.0 | 2 | 0...0.8 | 0...1.2 | 0...0.8 | 0...1.2 | 0...0.8 | 0...2 | 242932 | 227982 | 184705 |

DTS 1000089742 EN Version: AN Status: RL (released | freigegeben | valide) printed: 15.05.2024

| Circuit function | Port connection | Orifice [mm] | K _v value water [m³/h] | Pressure range | | | | | | Article no. | | |
|--|-----------------|-----------------|---|----------------|-------------|-------------|-------------|-------------|-------------|------------------|------------------|------------------|
| | | | | Water | | Oil | | Air | | 024/DC [V/Hz] | 024/50 [V/Hz] | 230/50 [V/Hz] |
| | | | | DC [bar] | AC [bar] | DC [bar] | AC [bar] | DC [bar] | AC [bar] | | | |
| CF B 2/2-way solenoid valve Direct-acting Normally open  | G ¼ | 1.5 | 0.07 | 0...60 | 0...60 | 0...60 | 0...60 | 0...60 | 0...60 | 20011122 | o. r. | 20011123 |
| | | 2.0 | 0.14 | 0...30 | 0...30 | 0...30 | 0...30 | 0...30 | 0...30 | 20011130 | o. r. | o. r. |
| | | 3.0 | 0.28 | 0...16 | 0...16 | 0...16 | 0...16 | 0...16 | 0...16 | 20011133 | o. r. | o. r. |
| | | 4.0 | 0.54 | 0...10 | 0...10 | 0...10 | 0...10 | 0...10 | 0...10 | 20011141 | o. r. | 223726 |
| | | 6.0 | 0.95 | 0...6 | 0...6 | 0...6 | 0...6 | 0...6 | 0...6 | 20011163 | o. r. | o. r. |
| | G ¾ | 4.0 | 0.54 | 0...10 | 0...10 | 0...10 | 0...10 | 0...10 | 0...10 | o. r. | o. r. | o. r. |
| | | 6.0 | 0.95 | 0...6 | 0...6 | 0...6 | 0...6 | 0...6 | 0...6 | 20011164 | o. r. | 20011165 |
| | G ½ | 6.0 | 0.95 | 0...6 | 0...6 | 0...6 | 0...6 | 0...6 | 0...6 | o. r. | o. r. | o. r. |

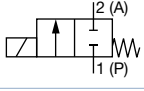
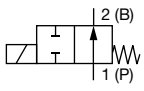
o. r. = on request

| Circuit function | Port connection | Orifice [mm] | K _v value water [m³/h] | Medium pressure Kick and Drop coil 44/6.5 W [bar] | Article no. Kick and Drop coil 44/6.5 W | | Medium pressure Kick and Drop coil 85/8.5 W [bar] | Article no. Kick and Drop coil 85/8.5 W | |
|---|-----------------|-----------------|---|--|---|------------------|--|---|------------------|
| | | | | | 024 / AC/DC [V/Hz] | 230/AC [V/Hz] | | 024 / AC/DC [V/Hz] | 230/AC [V/Hz] |
| Housing material stainless steel, G-inner thread, seal material PTFE/PEEK | | | | | | | | | |
| Circuit function A (CF A) 2/2-way solenoid valve Direct-acting Normally closed  | G ¼ | 3.0 | 0.28 | 0...50 | 386750 | 386756 | 0...80 | 386762 | 386768 |
| | | 4.0 | 0.54 | 0...25 | 386751 | 386757 | 0...40 | 386763 | 386769 |
| | | 6.0 | 0.95 | 0...6 | 386752 | 386758 | 0...12 | 386764 | 386770 |
| | G ½ | 8.0 | 1.6 | 0...2.5 | 386753 | 386759 | 0...6 | 386765 | 386771 |
| | | 10.0 | 1.8 | 0...1.5 | 386754 | 386760 | 0...3.5 | 386766 | 386772 |
| | | 12.0 | 2 | 0...1.2 | 386755 | 386761 | 0...2 | 386767 | 386773 |

8.6. Ordering chart high pressure version up to 250 bar (PN25) or 160 bar (PN16)

Note:

Further variants with alternative voltages, NPT or RC inner thread, as flange or screw-in version, seal material PEEK/EPDM are available on request.

| Circuit function | Port connection | Orifice [mm] | K _v value water [m³/h] | Pressure range | | | | | | Article no. | | |
|--|-----------------|-----------------|---|----------------|-------------|-------------|-------------|-------------|-------------|------------------|------------------|------------------|
| | | | | Water | | Oil | | Air | | 024/DC [V/Hz] | 024/AC [V/Hz] | 230/AC [V/Hz] |
| | | | | DC [bar] | AC [bar] | DC [bar] | AC [bar] | DC [bar] | AC [bar] | | | |
| Housing material stainless steel, G-inner thread, seal material PEEK/FKM, cable head with integrated rectifier for AC part of delivery | | | | | | | | | | | | |
| High pressure version with ball sealing | | | | | | | | | | | | |
| CF A 2/2-way solenoid valve Direct-acting Normally closed  | G ¼ | 1.0 | 0.03 | 0...250 | 0...250 | 0...250 | 0...250 | 0...250 | 0...250 | 265507 | - | 267229 |
| | | | | 0...250 | 0...250 | 0...200 | 0...200 | 0...250 | 0...250 | - | 267226 | - |
| | | 1.5 | 0.07 | 0...150 | 0...150 | 0...80 | 0...80 | 0...150 | 0...150 | 267217 | - | 267237 |
| 0...150 | 0...150 | | | 0...70 | 0...70 | 0...150 | 0...150 | - | 267234 | - | | |
| CF B 2/2-way solenoid valve Direct-acting Normally open  | G ¼ | 1.0 | 0.03 | 0...200 | 0...200 | 0...150 | 0...150 | 0...250 | 0...250 | 269823 | 267219 | 267239 |
| | | 1.5 | 0.07 | 0...100 | 0...100 | 0...80 | 0...80 | 0...130 | 0...130 | 269824 | 267240 | 271269 |

- = not available

8.7. Ordering chart version DN 13 with increased lifespan (NF39)

Note:

- Further variants with alternative voltages, stainless steel body, 3/4" connection, seal material EPDM/EPDM are available on request.
- The following applies to all subsequent values: orifice size 13 mm and K_v value water 4 m³/h.

| Circuit function | Port connection | Orifice [mm] | K _v value water [m ³ /h] | Pressure range | | | | | | Article no. | | |
|---|-----------------|-----------------|---|----------------|----------|----------|----------|----------|----------|-------------|--------|--------|
| | | | | Water | | Oil | | Air | | 024/DC | 024/AC | 230/AC |
| | | | | DC | AC | DC | AC | DC | AC | | | |
| [bar] | [bar] | [bar] | [bar] | [bar] | [bar] | [V/Hz] | [V/Hz] | [V/Hz] | | | | |
| Housing material brass, seal material FKM/FKM | | | | | | | | | | | | |
| For liquid and gaseous media | | | | | | | | | | | | |
| CF A 2/2-way solenoid valve Direct-acting Normally closed | G 1/2 | 13.0 | 3 | 0...0.15 | 0...0.15 | 0...0.15 | 0...0.15 | 0...0.15 | 0...0.15 | 315080 | 315082 | 315084 |
| | | | | 0...0.75 | - | 0...0.75 | - | 0...0.75 | - | 315088 | - | - |
| | NPT 1/2 | 13.0 | 3 | 0...0.15 | 0...0.15 | 0...0.15 | 0...0.15 | 0...0.15 | 0...0.15 | 315095 | 315097 | 315100 |
| | | | | 0...0.75 | - | 0...0.75 | - | 0...0.75 | - | 315102 | - | - |

-- = not available

8.8. Ordering chart DIN EN 161 (PO19) certification version

Note:

- Materials and dimensions for DN 4...DN 12 see "4.2. Standard version" on page 8, for DN 13 see "4.4. Version DN 13" on page 10.
- Further variants with alternative voltages, brass housing, 1/4" or 3/4" connection are available on request.

| Circuit function | Port connection | Orifice [mm] | K _v value water [m ³ /h] | Pressure range | | Seal material | Coil size [mm] | Article no. | | |
|---|-----------------|-----------------|---|----------------|----------|---------------|-------------------|-------------|--------|--------|
| | | | | Gas | | | | 024/DC | 024/AC | 230/AC |
| | | | | DC | AC | | | | | |
| [bar] | [bar] | [V/Hz] | [V/Hz] | [V/Hz] | | | | | | |
| Housing material stainless steel, G-inner thread, seal material NBR/NBR or FKM/FKM optional, cable head with integrated rectifier for AC included. | | | | | | | | | | |
| Automatic shut-off valves for gas burners up to 5 bar with increased lifespan NF39 | | | | | | | | | | |
| CF A 2/2-way solenoid valve Direct-acting Normally closed | G 3/8 | 4.0 | 0.54 | 0...6 | 0...10 | FKM | 42 | 322103 | o. r. | o. r. |
| | | | | 0...15 | - | NBR | 65 | 322105 | - | - |
| | G 3/8 | 6.0 | 0.95 | 0...2.5 | 0...2.5 | FKM | 42 | o. r. | o. r. | o. r. |
| | | | | 0...7.5 | - | NBR | 65 | o. r. | - | - |
| | G 1/2 | 8.0 | 1.6 | 0...1.3 | 0...1.3 | FKM | 42 | 322107 | o. r. | o. r. |
| | | | | 0...4 | - | NBR | 65 | 322109 | - | - |
| | G 1/2 | 10.0 | 1.8 | 0...0.5 | 0...0.5 | FKM | 42 | o. r. | o. r. | o. r. |
| | | | | 0...1.8 | - | NBR | 65 | o. r. | - | - |
| | G 1/2 | 12.0 | 2.0 | 0...0.4 | 0...0.4 | FKM | 42 | o. r. | o. r. | o. r. |
| | | | | 0...1.4 | - | NBR | 65 | o. r. | - | - |
| | G 1/2 | 13.0 | 3.0 | 0...0.15 | 0...0.15 | FKM | 42 | 322110 | o. r. | o. r. |
| | | | | 0...0.75 | - | NBR | 65 | 322112 | - | - |

o. r. = on request
 -- = not available

DTS 1000089742 EN Version: AN Status: RL (released | freigegeben | valide) printed: 15.05.2024

| Circuit function | Port connection | Orifice [mm] | K _v value water [m ³ /h] | Pressure range | | Seal material | Coil size [mm] | Article no. | |
|---|-----------------|-----------------|---|----------------|-------|---------------|-------------------|------------------|------------------|
| | | | | Gas | AC | | | 024/DC [V/Hz] | 230/50 [V/Hz] |
| | | | | [bar] | [bar] | | | | |
| Housing material brass, G-inner thread, seal material NBR/NBR | | | | | | | | | |
| Automatic shut-off valves for gas burners up to 5 bar in standard | | | | | | | | | |
| CF A 2/2-way solenoid valve Direct-acting Normally closed | G 3/8 | 4.0 | 0.54 | 0...13 | | NBR | 42 | o. r. | 322106 |
| | G 1/2 | 6.0 | 0.95 | 0...5.5 | | NBR | 42 | o. r. | 291453 |
| | G 1/2 | 8.0 | 1.6 | 0...2.3 | | NBR | 42 | o. r. | 270994 |
| | G 1/2 | 10.0 | 1.8 | 0...1.3 | | NBR | 42 | o. r. | 267347 |
| | G 1/2 | 13.0 | 3.0 | 0...0.5 | | NBR | 42 | o. r. | - |

o. r. = on request
 - = not available

8.9. Ordering chart oil burner version (PF15)

Flow valve/return valve combinations

If the oil burner is designed with a return nozzle and without a nozzle shut-off valve (see DIN EN 267), flow and return valves with safety shut-off function are required. The following combinations are possible:

| Feed line valve | | | | Return line valve | | | |
|--------------------|-----------------|-----------------------|---|--------------------|-----------------|-----------------------|---|
| Type | Orifice [mm] | Housing material | K _v value water [m ³ /h] | Type | Orifice [mm] | Housing material | K _v value water [m ³ /h] |
| 6027 | 3 | Brass/stainless steel | 0.22 | 6027 | 3 | Brass/stainless steel | 0.18 |
| 6027 | 3.5 | Brass/stainless steel | 0.38 | 6027 | 3.5 | Brass/stainless steel | 0.35 |
| 5406 ¹⁾ | 13 | Brass | 3.5 | 6027 | 10 | Brass | 1.8 |
| 5406 ¹⁾ | 20 | Stainless steel | 6.3 | 5407 ²⁾ | 20 | Stainless steel | 4.7 |

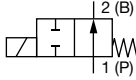
- 1.) See data sheet **Type 5406** ▶ solenoid valve safety shut off valve for oil burner
- 2.) See data sheet **Type 5407** ▶ solenoid valve safety shut off valve for oil burner

Note:

Further variants with alternative voltages, frequencies and thread connections are available on request.

| Circuit function | Port connection | Orifice [mm] | K _v value water [m ³ /h] | Applica-tions | Closing times [ms] | Electrical power | | Pressure range | | Article no. | |
|---|-----------------|-----------------|---|--------------------------|-----------------------|------------------|--------|----------------------------------|---------------------------|------------------------|------------------------|
| | | | | | | Operation | Inrush | Oil | | 110...120/50 [V/Hz] | 220...240/50 [V/Hz] |
| | | | | | | [W] | [VA] | Differ-ential pres-sure [bar] | Static pres-sure [bar] | | |
| Housing material brass, G-inner thread, seal material PTFE/FKM | | | | | | | | | | | |
| DIN EN ISO 23553 - 1 Safety isolating equipment for liquid fuels PF15 | | | | | | | | | | | |
| CF A 2/2-way solenoid valve Direct-acting Normally closed | G 1/8 | 3.0 | 0.22 0.18 | Feed line Return line | 30 | 20 | 120 | 0...30 | 30 | 322828 | 322829 |
| | G 1/4 | 3.0 | 0.22 0.18 | Feed line Return line | 30 | 20 | 120 | 0...30 | 30 | o. r. | 322830 |
| | | 3.5 | 0.38 | Feed line Return line | 30 | 20 | 180 | 0...30 | 30 | 301016 | 284833 |
| | G 3/8 | 10.0 | 2 | Return line | 50 | 20 | 180 | - | 30 | o. r. | o. r. |
| | G 1/2 | 10.0 | 2 | Return line | 50 | 20 | 180 | - | 30 | 281947 | 281948 |

DTS 1000089742 EN Version: AN Status: RL (released | freigegeben | validé) printed: 15.05.2024

| Circuit function | Port connection | Orifice | K _v value water | Applications | Closing times | Electrical power | | Pressure range | | Article no. | |
|--|-----------------|---------|----------------------------|------------------|---------------|------------------|--------|-----------------------|-----------------|--------------|--------------|
| | | | | | | Operation | Inrush | Oil | | 110...120/50 | 220...240/50 |
| | | | | | | | | Differential pressure | Static pressure | | |
| [mm] | [m³/h] | [ms] | [W] | [VA] | [bar] | [bar] | [V/Hz] | [V/Hz] | | | |
| CF B 2/2-way solenoid valve Direct-acting Normally open  | G ¼ | 2.2 | 0.16 | circulation line | 30 | 20 | 120 | 0...30 | 30 | 301018 𠄎 | 261036 𠄎 |

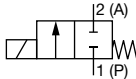
o. r. = on request

8.10. Ordering charts ATEX/IECEx version with 3 meter cable

Standard version with elastomer seal up to 30 bar

Note:

- Further variants with normally open, alternative voltages, stainless steel body, NPT- or RC-inner thread, seal material EPDM/EPDM are available on request.
- The Kick and Drop coil features integrated electronics for short-term power increase and decrease in double-coil technology.

| Circuit function | Port connection | Orifice | K _v value water | Medium pressure standard | Article no. | | Medium pressure Kick and Drop coil | Article no. Kick and Drop coil | |
|--|-----------------|---------|----------------------------|--------------------------|-------------|-------------|------------------------------------|--------------------------------|----------|
| | | | | | 024 / AC/DC | 230 / AC/DC | | 024 / AC/DC | 230 / AC |
| | | | | | [V/Hz] | [V/Hz] | | [V/Hz] | [V/Hz] |
| [mm] | [m³/h] | [bar] | [bar] | [bar] | [bar] | [bar] | [bar] | [bar] | |
| Body material brass with G-inner thread, seal material FKM/FKM | | | | | | | | | |
| CF A 2/2-way solenoid valve Direct-acting Normally closed  | G ¼ | 3.0 | 0.28 | 0...30 | o. r. | o. r. | 0...30 | o. r. | o. r. |
| | | 4.0 | 0.54 | 0...10 | o. r. | o. r. | 0...30 | o. r. | o. r. |
| | | 5.0 | 0.73 | 0...3 | o. r. | 380761 𠄎 | 0...10 | o. r. | o. r. |
| | | 6.0 | 0.95 | 0...1.5 | o. r. | 380769 𠄎 | 0...6 | o. r. | o. r. |
| | G ½ | 8.0 | 1.6 | 0...1 | o. r. | o. r. | 0...3 | 380779 𠄎 | 380780 𠄎 |
| | | 10.0 | 1.8 | 0...0.6 | 380786 𠄎 | 380787 𠄎 | 0...2 | o. r. | o. r. |

o. r. = on request

DTS 1000089742 EN Version: AN Status: RL (released | freigegeben | validé) printed: 15.05.2024

Standard version with pendulum seal up to 100 bar

Note:

- Further variants with normally open, alternative voltages, brass housing, NPT- or RC-inner thread, seal material PTFE/FKM or PTFE/EPDM are available on request.
- The Kick and Drop coil features integrated electronics for short-term power increase and decrease in double-coil technology.

| Circuit function | Port connection | Orifice [mm] | K _v value water [m ³ /h] | Medium pressure standard [bar] | Article no. | | Medium pressure Kick and Drop coil [bar] | Article no. Kick and Drop coil | |
|---|-----------------|-----------------|---|-----------------------------------|-------------|-------------|---|--------------------------------|----------|
| | | | | | 024 / AC/DC | 230 / AC/DC | | 024 / AC/DC | 230 / AC |
| | | | | | [V/Hz] | [V/Hz] | | [V/Hz] | [V/Hz] |
| Body material stainless steel with G-inner thread, seal material PTFE/PEEK | | | | | | | | | |
| CF A 2/2-way solenoid valve Direct-acting Normally closed | G ¼ | 2.0 | 0.14 | 0...60 | 380720 ☒ | 380722 ☒ | 0...100 | o. r. | o. r. |
| | | 3.0 | 0.28 | 0...20 | 380734 ☒ | o. r. | 0...50 | o. r. | o. r. |
| | | 4.0 | 0.54 | 0...8 | 380751 ☒ | o. r. | 0...25 | o. r. | o. r. |
| | G ½ | 6.0 | 0.73 | 0...1.5 | 380765 ☒ | 380766 ☒ | 0...6 | o. r. | o. r. |
| | | 8.0 | 0.95 | 0...0.8 | o. r. | o. r. | 0...2.5 | o. r. | o. r. |
| | | 10.0 | 1.6 | 0...0.5 | o. r. | o. r. | 0...1.5 | o. r. | o. r. |
| | | 12.0 | 1.8 | 0...0.3 | o. r. | o. r. | 0...1.2 | o. r. | o. r. |

o. r. = on request

Version DN 13

Note:

- Further variants with alternative voltages, stainless steel body, NPT- and RC-inner thread, ¾" connection, seal material EPDM/EPDM or PTFE/PEEK are available on request.
- The Kick and Drop coil features integrated electronics for short-term power increase and decrease in double-coil technology.

| Circuit function | Port connection | Orifice [mm] | K _v value water [m ³ /h] | Medium pressure Kick and Drop coil [bar] | Article no. Kick and Drop coil | |
|---|-----------------|-----------------|---|---|--------------------------------|----------|
| | | | | | 024 / AC/DC | 230 / AC |
| | | | | | [V/Hz] | [V/Hz] |
| Body material brass with G-inner thread, seal material FKM/FKM | | | | | | |
| CF A 2/2-way solenoid valve Direct-acting Normally closed | G ½ | 13.0 | 4 | 0...0.5 | 380791 ☒ | 380793 ☒ |

DTS 1000089742 EN Version: AN Status: RL (released | freigegeben | validé) printed: 15.05.2024

High pressure version up to 250 bar (PN25) or 160 bar (PN16)

Note:

- Further variants with alternative voltages, NPT- and RC-inner thread, seal material PEEK/EPDM are available on request.
- The Kick and Drop coil features integrated electronics for short-term power increase and decrease in double-coil technology.

| Circuit function | Port connection | Orifice [mm] | K _v value water [m ³ /h] | Medium pressure standard | | | Article no. | | Medium pressure Kick and Drop coil | | | Article no. Kick and Drop coil | |
|--|-----------------|-----------------|---|--------------------------|--------------|--------------|-------------------------|-------------------------|------------------------------------|--------------|--------------|--------------------------------|------------------|
| | | | | Water [bar] | Oil [bar] | Air [bar] | 024/ AC/DC [V/Hz] | 230/ AC/DC [V/Hz] | Water [bar] | Oil [bar] | Air [bar] | 024/ AC/DC [V/Hz] | 230/AC [V/Hz] |
| | | | | [bar] | [bar] | [bar] | [V/Hz] | [V/Hz] | [bar] | [bar] | [bar] | [V/Hz] | [V/Hz] |
| Body material stainless steel with G-inner thread, seal material PEEK/FKM | | | | | | | | | | | | | |
| CF A 2/2-way solenoid valve Direct-acting Normally closed | G ¼ | 1.0 | 0.03 | 0...200 | 0...150 | 0...250 | 380702 ☒ | 380706 ☒ | 0...250 | 0...250 | 0...250 | 380704 ☒ | o. r. |
| | | 1.5 | 0.07 | 0...80 | 0...40 | 0...100 | 380708 ☒ | 380709 ☒ | 0...160 | 0...160 | 0...160 | o. r. | o. r. |
| CF B 2/2-way solenoid valve Direct-acting Normally open | G ¼ | 1.0 | 0.03 | - | - | - | - | - | 0...200 | 0...160 | 0...250 | 380794 ☒ | o. r. |
| | | 1.5 | 0.07 | - | - | - | - | - | 0...100 | 0...80 | 0...130 | o. r. | o. r. |

o. r. = on request
 -- = not available

8.11. Ordering chart ATEX/IECEx version clamp terminal box

Standard version with elastomer seal up to 30 bar

Note:

- Further variants with normally open, alternative voltages, stainless steel body, NPT- or RC-inner thread, seal material EPDM/EPDM are available on request.
- The Kick and Drop coil features integrated electronics for short-term power increase and decrease in double-coil technology.

| Circuit function | Port connection | Orifice [mm] | K _v value water [m ³ /h] | Medium pressure standard [bar] | Article no. | | Medium pressure Kick and Drop coil [bar] | Article no. Kick and Drop coil | |
|---|-----------------|-----------------|---|-----------------------------------|-------------------------|-------------------------|---|--------------------------------|------------------|
| | | | | | 024/ AC/DC [V/Hz] | 230/ AC/DC [V/Hz] | | 024/ AC/DC [V/Hz] | 230/AC [V/Hz] |
| | | | | | [V/Hz] | [V/Hz] | | [V/Hz] | [V/Hz] |
| Body material brass with G-inner thread, seal material FKM/FKM | | | | | | | | | |
| CF A 2/2-way solenoid valve Direct-acting Normally closed | G ¼ | 3.0 | 0.28 | 0...30 | o. r. | o. r. | 0...30 | o. r. | o. r. |
| | | 4.0 | 0.54 | 0...10 | o. r. | o. r. | 0...30 | 380753 ☒ | o. r. |
| | | 5.0 | 0.73 | 0...3 | 380759 ☒ | 380760 ☒ | 0...10 | o. r. | o. r. |
| | G ½ | 6.0 | 0.95 | 0...1.5 | 380770 ☒ | 380771 ☒ | 0...6 | o. r. | o. r. |
| | | 8.0 | 1.6 | 0...1 | o. r. | o. r. | 0...3 | o. r. | o. r. |
| | | 10.0 | 1.8 | 0...0.6 | 380785 ☒ | 380802 ☒ | 0...2 | o. r. | o. r. |

o. r. = on request

DTS 1000089742 EN Version: AN Status: RL (released | freigegeben | validé) printed: 15.05.2024

Standard version with pendulum seal up to 100 bar

Note:

- Further variants with normally open, alternative voltages, brass housing, NPT- or RC-inner thread, seal material PTFE/FKM or PTFE/EPDM are available on request.
- The Kick and Drop coil features integrated electronics for short-term power increase and decrease in double-coil technology.

| Circuit function | Port connection | Orifice [mm] | K _v value water [m ³ /h] | Medium pressure standard [bar] | Article no. | | Medium pressure Kick and Drop coil [bar] | Article no. Kick and Drop coil | |
|---|-----------------|-----------------|---|-----------------------------------|-------------|-------------|---|--------------------------------|----------|
| | | | | | 024 / AC/DC | 230 / AC/DC | | 024 / AC/DC | 230 / AC |
| | | | | | [V/Hz] | [V/Hz] | | [V/Hz] | [V/Hz] |
| Body material stainless steel with G-inner thread, seal material PTFE/PEEK | | | | | | | | | |
| CF A 2/2-way solenoid valve Direct-acting Normally closed | G ¼ | 2.0 | 0.14 | 0...60 | 380719 ☞ | 380721 ☞ | 0...100 | o. r. | o. r. |
| | | 3.0 | 0.28 | 0...20 | 380733 ☞ | o. r. | 0...50 | o. r. | o. r. |
| | | 4.0 | 0.54 | 0...8 | 380750 ☞ | o. r. | 0...25 | o. r. | o. r. |
| | G ½ | 6.0 | 0.73 | 0...1.5 | o. r. | o. r. | 0...6 | o. r. | o. r. |
| | | 8.0 | 0.95 | 0...0.8 | 380777 ☞ | o. r. | 0...2.5 | o. r. | o. r. |
| | | 10.0 | 1.6 | 0...0.5 | o. r. | o. r. | 0...1.5 | o. r. | o. r. |
| | | 12.0 | 1.8 | 0...0.3 | o. r. | o. r. | 0...1.2 | o. r. | o. r. |
| | | | | | | | | | |

o. r. = on request

Version DN 13

Note:

- Further variants with alternative voltages, stainless steel body, NPT- and RC-inner thread, ¾" connection, seal material EPDM/EPDM or PTFE/PEEK are available on request.
- The Kick and Drop coil features integrated electronics for short-term power increase and decrease in double-coil technology.

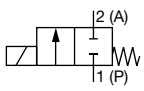
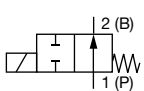
| Circuit function | Port connection | Orifice [mm] | K _v value water [m ³ /h] | Medium pressure Kick and Drop coil [bar] | Article no. Kick and Drop coil | |
|---|-----------------|-----------------|---|---|--------------------------------|----------|
| | | | | | 024 / AC/DC | 230 / AC |
| | | | | | [V/Hz] | [V/Hz] |
| Body material brass with G-inner thread, seal material FKM/FKM | | | | | | |
| CF A 2/2-way solenoid valve Direct-acting Normally closed | G ½ | 13.0 | 4 | 0...0.5 | 380790 ☞ | 380792 ☞ |

DTS 1000089742 EN Version: AN Status: RL (released | freigegeben | validé) printed: 15.05.2024



High pressure version up to 250 bar (PN25) or 160 bar (PN16)

Note:

- Further variants with alternative voltages, NPT- and RC-inner thread, seal material PEEK/EPDM are available on request.
- The Kick and Drop coil features integrated electronics for short-term power increase and decrease in double-coil technology.

| Circuit function | Port connection | Orifice [mm] | K _v value water [m ³ /h] | Medium pressure standard | | | Article no. | | Medium pressure Kick and Drop coil | | | Article no. Kick and Drop coil | |
|--|-----------------|-----------------|---|--------------------------|--------------|--------------|-------------------------|-------------------------|------------------------------------|--------------|--------------|--------------------------------|------------------|
| | | | | Water [bar] | Oil [bar] | Air [bar] | 024/ AC/DC [V/Hz] | 230/ AC/DC [V/Hz] | Water [bar] | Oil [bar] | Air [bar] | 024/ AC/DC [V/Hz] | 230/AC [V/Hz] |
| | | | | | | | | | | | | | |
| Body material stainless steel with G-inner thread, seal material PEEK/FKM | | | | | | | | | | | | | |
| CF A 2/2-way solenoid valve Direct-acting Normally closed  | G ¼ | 1.0 | 0.03 | 0...200 | 0...150 | 0...250 | o. r. | 380705 | 0...250 | 0...250 | 0...250 | 380703 | o. r. |
| | | 1.5 | 0.07 | 0...80 | 0...40 | 0...100 | o. r. | o. r. | 0...160 | 0...160 | 0...160 | o. r. | o. r. |
| CF B 2/2-way solenoid valve Direct-acting Normally open  | G ¼ | 1.0 | 0.03 | - | - | - | - | - | 0...200 | 0...160 | 0...250 | 380803 | o. r. |
| | | 1.5 | 0.07 | - | - | - | - | - | 0...100 | 0...80 | 0...130 | o. r. | o. r. |

o. r. = on request
 - = not available

| Further versions on request | |
|---|--|
|  Approval Further information can be found in chapter "3. Approvals and conformities" on page 5. |  Temperature Special temperature ranges |
|  Process connection <ul style="list-style-type: none"> • NPT • RC |  Voltage 110/50 and further non-standard voltages |


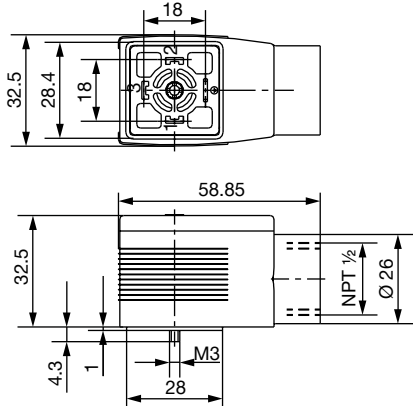
DTS 1000089742 EN Version: AN Status: RL (released | freigegeben | validé) printed: 15.05.2024

8.12. Ordering chart accessories

Cable plug Type 2509, form A according to DIN EN 175301 - 803

Note:


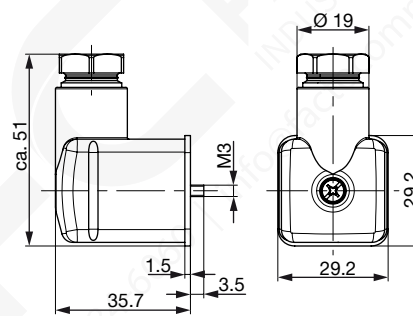
- Dimensions in mm
- Without circuitry (standard)
- The cable plug Type 2509 meets the requirements in accordance with ATEX Cat. 3 GD in assembly with a Bürkert solenoid valve.
- The cable plug Type 2509 meets the requirements in accordance with UL Listed (UL 429) in assembly with a Bürkert solenoid valve.
- Refer to data sheet **Type 2509** ▶ for more information about the cable plug.

| Cable plug | Dimensions | Version | Voltage | Article no. |
|---|--|-------------------|-----------------|-------------|
|  |  | Without circuitry | 0...250 V AC/DC | 137943 |

Cable plug Type 2518, form A according to DIN EN 175301 - 803

Note:

- Dimensions in mm
- For further versions see data sheet **Type 2518** ▶.

| Cable plug | Dimensions | Version | Voltage | Article no. |
|---|---|--|-----------------|-------------|
|  |  | Without circuitry (AC/DC) | 0...250 V AC/DC | 314802 |
| | | With LED (AC/DC) | 12...24 V AC/DC | 314812 |
| | | With LED and varistor (AC/DC) | 12...24 V AC/DC | 314820 |
| | | With rectifier, LED and varistor | 12...24 V AC/DC | 314816 |
| | | Without circuitry (AC/DC) with silicone seal for higher ambient temperature, e.g. steam version (NA07) | 0...250 V AC/DC | 361687 |

DTS 1000089742 EN Version: AN Status: RL (released | freigegeben | validé) printed: 15.05.2024

Cable glands for ATEX/IECEX terminal box

Note:

- A cable gland in polyamide version is included in the delivery. A nickel-plated brass version can be ordered at surcharge.
- Refer to “7.1. Cable glands for ATEX/IECEX terminal box” on page 18 for more information about Ex cable glands.
- Refer to “7.2. Special tool to turn the terminal box” on page 18 for more information about special wrench.

| Description | Article no. |
|---|-------------|
| Ex cable gland, nickel-plated brass, 6...13 mm ^{1.)} | 773278 𠄎 |
| Ex cable gland, polyamide, 7...13 mm ^{1.)} | 773277 𠄎 |
| Set SC02-AC10: special wrench ^{2.)} incl. service manual | 293488 𠄎 |

1.) Cable diameter

2.) Not included in the scope of delivery of the valve

Mounting bracket

Note:

- The mounting bracket, two cylinder screws M4x8 and two spring rings are included in the scope of delivery.
- The mounting bracket can be used for all standard and high-pressure versions, including ATEX/IECEX and DIN EN 161 option up to orifice size 12 mm.
- The mounting bracket cannot be used for oil burner versions, DN 13 versions and various special bodies made of solid material.

| Description | Article no. |
|---|-------------|
| Mounting bracket for Type 6020/6027/6240/6440 | 282304 𠄎 |



DTS 1000089742 EN Version: AN Status: RL (released | freigegeben | validé) printed: 15.05.2024

