

Datasheet

Digital conductivity sensor

TDS8002



Datasheet

Digital conductivity sensor TDS8002

TDS8002 conductivity and salinity digital sensor is designed for aquaculture, river sewage, seawater salinity, environmental protection engineering and other industries. It is equipped with a special quadrupole alloy sensor for breeding, which can be used to measure the changes of conductivity and salinity in the aqueous system within the range of (0~500) mS/cm. It has a standard RS485 Modbus RTU protocol interface function, which can communicate with the host computer remotely.

Applications

- Aquaculture
- River sewage
- Seawater salinity
- Environmental protection engineering



Features

- Isolated power supply design, data stability, strong anti-interference ability
- 4-pole stainless steel, corrosion-resistant alloy conductivity/salinity sensor
- Shell material: POM (wet part)
- Corrosion resistance, high stability, Suitable for continuous detection of fresh water and sea water
- Built-in temperature sensor

TDS8002

Parameters

Principle	Quadrupole conductivity sensor
Measurement range	Conductivity:(100~60000) μ S/cm; (0.1~500.00) mS/cm; TDS: (0~9999) ppm; salinity: (0~100.00) ppt
Display resolution	1uS/cm; 0.01mS/cm; 1ppm; 0.01ppt

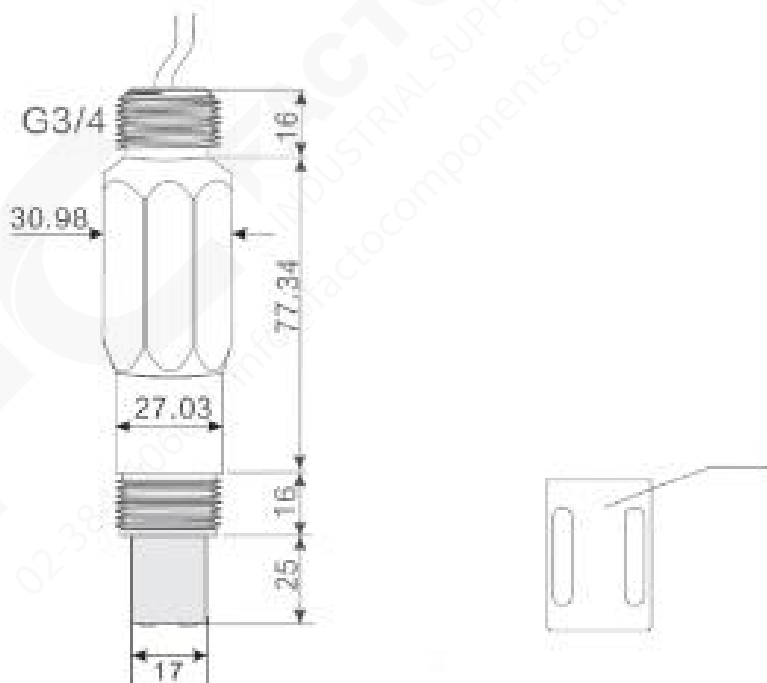
Accuracy	1.5%FS
Calibration period	>3 months
Body material	POM (wet part)
Cable length	5m as standard, other lengths are optional
Measure	Salinity /Conductivity/TDS
Measuring range	Conductivity: (100~60000) μ S /cm;(0.1~500.00) mS/cm; TDS: (0~9999) ppm; SAL:(0~100.00) ppt
Display resolution	1 μ S/cm; 0.01mS/cm; 1ppm;0.01ppt
Temperature	0~60°C
Accuracy	0.1°C
Sensor type	Quadrupole conductivity sensor
Measurement accuracy	<1.5%F.S, 2%reading, take the smaller of both
Accuracy	\pm 0.5°C
Temperature compensation	Automatic compensation coefficient:2%/°C ,coefficient adjustable(default compensating temperature is 25.0°C)
Communication	RS485
Communication protocol	MODBUS-RTU
Communication method	Baud rate 9600,8,1, N ID:1-255 default ID:1 (0×01)
Calibration and parameter setting mode	RS485 remote setting
Power supply	12 VDC
Power consumption	30mA @12 VDC

Wiring

Color	Description
Red	V+
Black	GND
Green	485A
White	485B

Note: Please check the color and wiring definition carefully, if the wiring is wrong, the sensor may be damaged.

Dimension



Ordering code

TDS-8002-HM1E1D1CS5							Description
TDS8002	-	-	-	-	-	-	Conductivity:(100`60000) μ S/cm; (0.1`500.00) mS/cm; TDS: (0`9999) ppm Salinity: (0`100.00) ppt Temperature range:(0~60) $^{\circ}$ C, Accuracy \pm 0.5 $^{\circ}$ C (\pm 0.2 $^{\circ}$ C optional)
Serial number TDS-8002							
Material	HM1						POM (wet part)
Electrode material	E1						HC
Communication method	D1						RS485, MODBUS-RTU
Cable length				C55		5m(standard)	
				CSxx		Customized	