

Ultrasonic level transmitter

MP-C series Datasheet



FACTO COMPONENTS CO., LTD. | บริษัท แฟ็คโต คอมโพเนนส์ จำกัด

845/3-4 ชั้น 3 ถ.เทพารักษ์ ต.เทพารักษ์ อ.เมือง จ.สมุทรปราการ 10270

TEL. 02-384-6060, 086-369-5872 LINE OA : @factocomps Website : www.factocomponents.co.th Email : info@factocomponents.co.th

Datasheet

Ultrasonic level transmitter MP-C

Ultrasonic level meter (measurement of liquid level/material level) is a non-contact, high reliability, cost-effective, easy-to-install and maintain liquid level/material level measuring instrument. It can meet most liquid level/level measurement requirements without contacting the measured medium. It is a new generation of ultrasonic level gauge with completely independent property rights of our company.

Applications

- Fire water tank
- Deep well water level
- River reservoir
- Engineering pool
- Sewage/waste water
- Chemical material

Features

- Simple operation
- Fault self-diagnosis technology, realize real-time fault self-diagnosis
- A variety of working conditions algorithm selection, improve environmental adaptability;
- High measurement resolution
- Fast response, the fastest response time
- Automatic temperature compensation



Ultrasonic level meter

Principle

The ultrasonic wave is reflected when it meets the interface of liquid medium (solid medium) with different density, and the transmission time is measured to measure the liquid level / distance

Ultrasonic level transmitter MP-C series

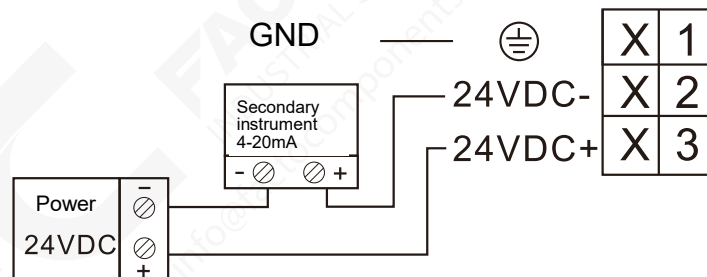
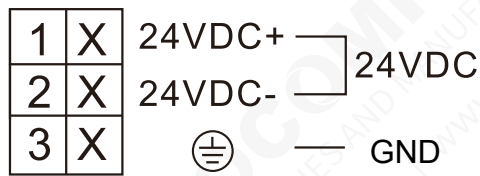
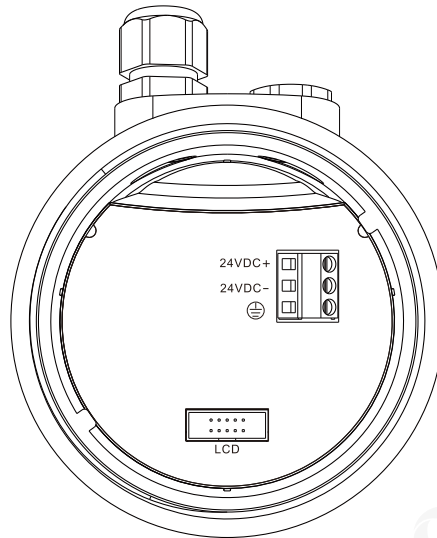


Parameters	
Product	Ultrasonic level transmitter
Model	SUP-MP-C
Measure range	(0~5) m / (0~10) m / (0~15) m
Blind zone	≤0.4m (5m、 10m)
	≤0.6m (15m)
Accuracy	±0.5%FS ±0.3%FS
Display	Monochrome LCD with resolution of 128 * 64
Current output	(4 ~ 20) mA , the output accuracy is 0.2%FS Output load is (U-18V)/0.02A (U:supply voltage,2-wire) Output load is (U-14V)/0.02A (U:supply voltage,4-wire)
Measuring variable	Level/Distance
Power supply	18-28 VDC
Resolution	1mm or 0.1%FS (maximum)
Communication	RS485 (4-wire)
Relay output	2 groups (4-wire optional)
Working temperature	Instrument: (-20~+60)°C
	Probe: (-20~+80)°C
Ingress Protection	Instrument: IP65
	Probe: IP68
Relative humidity	(10~85)%RH (no condensation)
Language	Chinese/English
Installation method	Threaded installation
Display method	With display (Optional without display. Refer to 1.5 for settings without display)

Ultrasonic level transmitter MP-C series



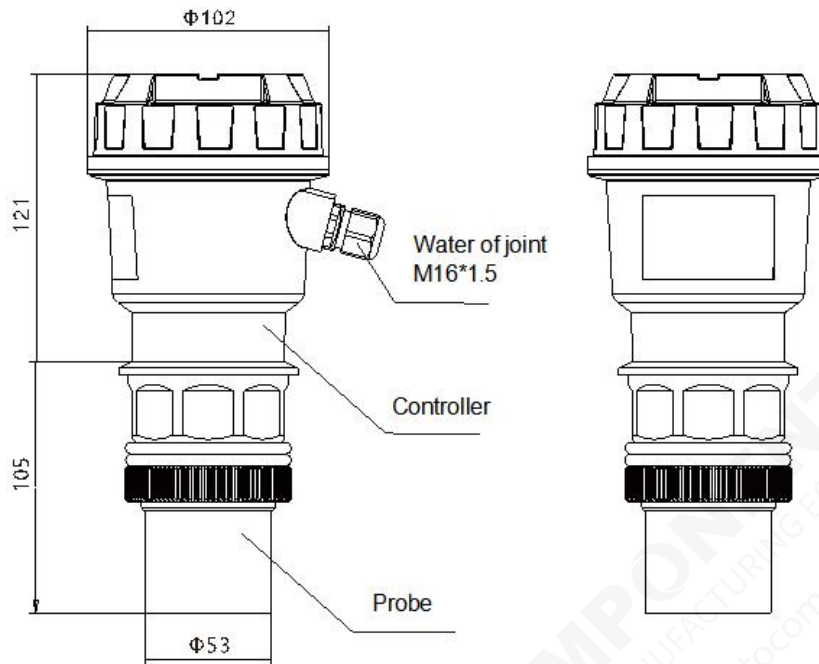
Wiring



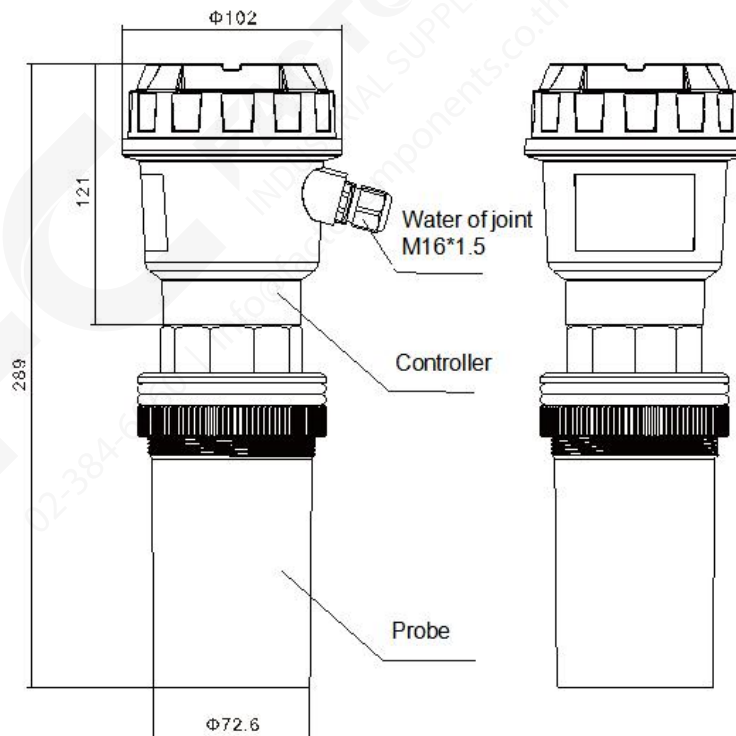
Ultrasonic level transmitter MP-C series



Dimension



M60×2 or G2 Thread Sensor (5m/10m)



M78×2 Thread Sensor (15m)

Ultrasonic level transmitter MP-C series



Ordering code

MP-C-NS-J3-A1-WB-EA									Description
MP-C	-	-	-	-	-	-	-	-	Integrated Type Ultrasonic Level Transmitter
Measurement Range and Thread Type	C								5m, G2
	D								10m, G2
	L								15m, M78×2
Probe Material		NS							Plastic ABS
		N6							Polytetrafluoroethylene (PTFE)
Accuracy			J3						0.5 Class
			J5						0.3 Class
Output and Power Supply				A1					2-Wire 4-20mA
				SA					4-20mA, 24VDC
				SP					4-20mA + Dual SPST +RS485, 24VDC
				SG					4-20mA + Dual SPST, 24VDC
				SE					4-20mA+RS485, 24VDC
				SW					4-20mA + Wireless NB-IoT, 24VDC
				SX					4-20mA + Wireless NB-IoT + Dual SPST + RS485, 24VDC
Electrical Interface, Housing Material, and Ingress Protection				SY					4-20mA + Wireless NB-IoT + Dual SPST, 24VDC
				SZ					4-20mA + Wireless NB-IoT+RS485, 24VDC
					WB				M16×1.5 Cable Gland, Plastic ABS, IP65
Accessories								EA	L-shaped Stainless Steel Mounting Bracket, 0.8m
								EB	L-shaped Stainless Steel Mounting Bracket, 1.5m
								EC	Polycarbonate (PC) Protective Cover

Note:When 4-wire system is used, the default display is displayed.Single current output is 2-wire system, no RS485, no relay output